

MAXIMATOR®

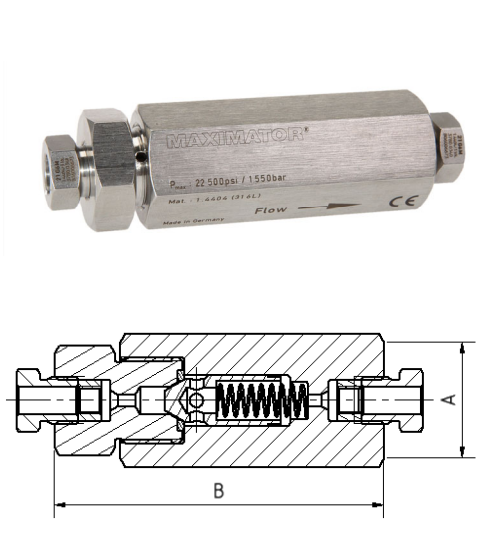
Maximum Pressure.



High Pressure Technology • Testing Equipment
Hydraulics • Pneumatics

Technical Data Sheet

Hydrogen Cone Check Valve 21CC..M-H2



Technical Data	
Operating temperature:	-80°C / +200°C
Operating pressure:	22500 psi (1550 bar)
Net weight:	refer to table "Valve Type"
Materials:	
Valve body:	1.4404 (SST 316L)
Sealing cone:	1.4404 (SST 316L)
Seal:	PEEK
Dimensions:	
Lenght:	refer to table "Valve Type"
Width across flats (Hex.) :	refer to table "Valve Type"
Orifice:	refer to table "Catalog Part Number"

Catalog Part Number						
Pressure Rating	Component Type	Connection Size	Type	Orifice in. (mm)	Rated Cv	Application
21 = 22500 psi (1550 bar)	CC = Cone Check Valve	4 = 1/4"	M = Medium Pressure	0.106 (2.7)	0.28	H2 = Hydrogen
		6 = 3/8"		0.201 (5.1)	0.84	
		9 = 9/16"		0.307 (7.8)	2.30	
		12 = 3/4"		0.438 (11,1)	4,7	
		16 = 1"		0,562 (14,3)	7,4	

Valve Type					
Catalog Number	Opening pressure (bar)	Width across flats (Hex.) (A) in. (mm)	Lenght (B) in. (mm)	Weight (kg)	
21CC4M-H2	approx. 0,4	1.06 (27.0)	2.91 (73.9)	0,35	
21CC6M-H2	approx. 0,4	1.06 (27.0)	3.31 (84.1)	0,40	
21CC9M-H2	approx. 0,1	1.44 (36.5)	4.29 (109.0)	0,96	
21CC12M-H2	approx. 0,1	1.44 (36.5)	5.35 (136.0)	1,16	
21CC16M-H2	approx. 0,1	2 (50,8)	6.88 (175)	3,18	

Please consult factory for more information. All technical and dimensional information are subject to change. All General Terms and Conditions of sale, including limitations of our liability, apply to all products and services sold.