

MAXIMATOR®

Maximum Pressure.



High Pressure Technology • Testing Equipment
Hydraulics • Pneumatics

Technical Data Sheet

Air Actuated Compact H2-Valve 15V4M071-H2-3MNC, 15V4M071-H2-3MNO



Technical Data

Operating temperature:	-20°C / +80°C
Drive pressure:	58 psi-116 psi (4 bar-8 bar)
Operating pressure:	15200 psi (1050 bar)
Net weight:	3,0 kg
Materials:	
Valve body:	1.4404 (SST 316L)
Valve stem:	1.4542 (17-4 PH)
Seal:	HPU
Dimensions:	
Height:	Normally closed: 154 mm Normally open: 99,5 mm
Diameter:	90 mm
Orifice:	2,0 mm

Catalog Part Number

Pressure	Component Type	Connection Size	Connection Type	Stem Type	Body pattern	Configuration
15 = 15200 psi (1050 bar)	V = Valve	4 = 1/4"	M = Medium Pressure	07 = Vee Stem	1 = Two-way Straight	3MNC = Compact, air drive normally closed 3MNO = Compact, air drive normally open

Valve Type	Air pressure required to actuate the valve			
	1-3 kpsi (68-200 bar)	8 kpsi (550 bar)	12 kpsi (800 bar)	15 kpsi (1000 bar)
15V...-H2-3MNC	65 psi (4,5 bar)	65 psi (4,5 bar)	73 psi (5 bar)	73 psi (5 bar)
15V...-H2-3MNO	29 psi (2 bar)	44 psi (3 bar)	54 psi (3,7 bar)	58 psi (4 bar)



The valves are marked with an EX sign and are in conformity to Group II Category 2G/2D Explosion group IIC constructive safety.

Please consult factory for more information. All technical and dimensional information subject to change. All General Terms and Conditions of sale, including limitations of our liability, apply to all products and services sold.

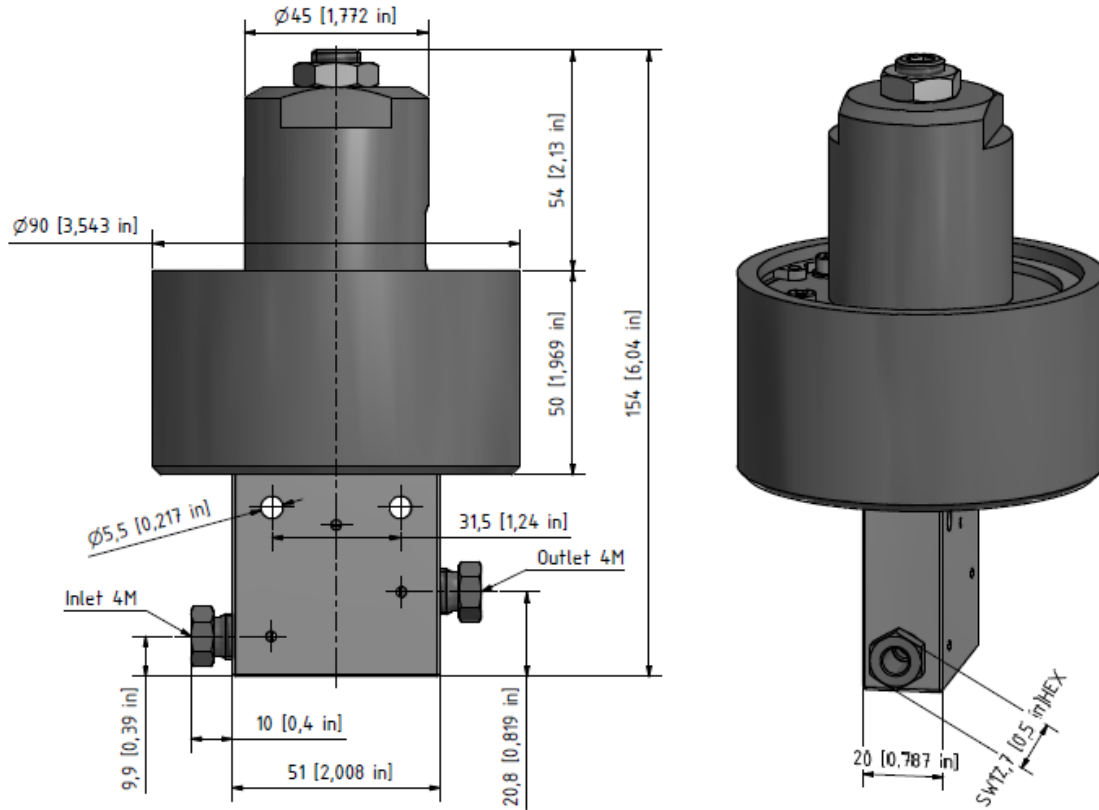
MAXIMATOR®

Maximum Pressure.



High Pressure Technology • Testing Equipment
Hydraulics • Pneumatics

15V4M071-H2-3MNC:



15V4M071-H2-3MNO:

