



Additel 928

Portable Hydraulic Pressure Pump User's Manual

[Version number:1507V01]



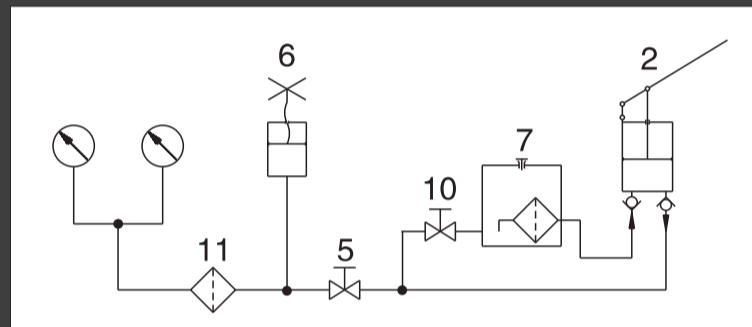
Warnings and cautions

- > Operate the pump in the rated pressure range and do not exceed the safety pressure or 18,000 psi (1,200 bar).
- > Close the valves and tighten the ports when transporting the pump.
- > Always open the reservoir release valve during operation.
- > Do not over tighten connectors and handles to avoid any damages.
- > Change contaminated media immediately.
- > Ensure there is enough fluid media in the pump when the pump is in use.
- > Keep the outer threads clean.
- > Additel is not liable for any safety problems or damages caused by misuse or incorrect operation.

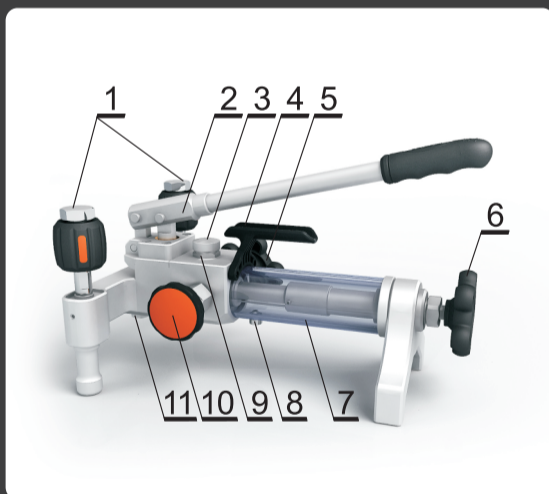
Specification

- > **Pressure range:** 0~15,000 psi (0~1,000 bar)
- > **Operating temperature:** (0~50) °C
- > **Storage temperature:** (-20~60)°C
- > **Relative humidity:** < 95%RH
- > **Fine adjustment resolution:** 1 mbar
- > **Safety pressure:** < 18,000 psi (1,200 bar)
- > **Media:** Mineral oil or deionized water which is compatible with copper, aluminum alloy, 304SS, UPVC and NITRILE rubber.
- > **Dimension:** 13.58"(345mm) x 8.46"(215mm) x 6.38"(162mm)
- > **Weight:** 8.6lb (3.9kg) without media

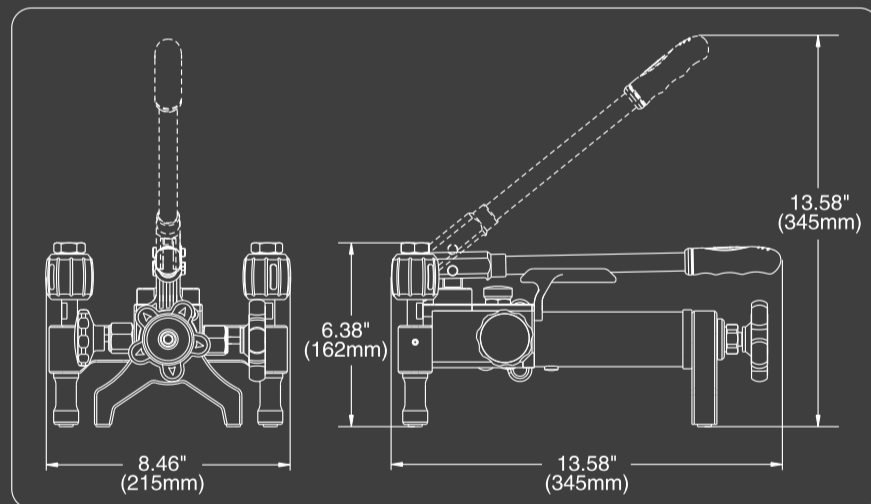
Hydraulic pipeline drawing



Configuration & Size



- 1 – Quick connector
- 2 – Pre-pressurization lever
- 3 – Reservoir release valve
(clockwise to open/ counterclockwise to close)
- 4 – Transport handle
- 5 – Isolation valve
(clockwise to shut off, counterclockwise to connect)
- 6 – High pressure and fine adjustment handle
(clockwise to increase pressure)
- 7 – Reservoir
- 8 – Drain screw
- 9 – Screw of fitting cover
- 10 – Vent valve
(clockwise to shut off, counterclockwise to connect)
- 11 – Liquid return filter



Troubleshooting

Problem	Cause	Solution
Difficult to increase pressure with pre-pressurization lever	A.Vent valve is not closed.	Close the vent valve.
	B.The o-ring seal is loose or damaged.	Replace the o-ring.
	C.No enough media is in the reservoir.	Fill with more fluid.
	D.The pump is not horizontal.	Place the pump horizontally to prepare for pressure or vacuum.
	E.Assimilation filter is blocked.	Clean the assimilation filter.
Difficult to operate pre-pressurization lever	A.Isolation valve is closed.	Open the isolation valve.
	B.When the pressure reaches about 2,900 psi (200 bar), the pre-pressurization lever may become difficult to operate if too high of a stroke is used.	When above 2,900 psi (200 bar), use small strokes to gradually increase the pressure.
	C.The pressure has exceeded 10,000 psi (700 bar).	Use the high pressure and fine adjustment handle to increase the pressure.
Difficult to turn valves or quick connectors	A.Too much force was previously applied.	Do not over tighten.
	B.The high pressure and fine adjustment handle will be a little stiff at higher pressures.	This is normal operation of the pump. Apply a little more force to increase pressure.
	C.The threads have no lubrication.	Lubricate the threads.
Hard to decrease pressure when returning the liquid	Liquid return filter is blocked.	Clean the liquid return filter.

Regular draining and Clean **A**

- 1 open
- 2 open
- 3 turn all the way out
- 4 loosen
- 5 loosen
- 6 loosen
- 7 screw out, drain out, put the liquid collector under here

Clean inside

Maintaining lead screw **B**

- 1 turn all the way out
- 2 clean and lubricate here
- 3 screw and unscrew several times to distribute the lubrication evenly

Maintaining the pre-pressure lever **C**

- 1 clean and lubricate
- 2 remove pin holder
- 3 push out the pill roll
- 4 remove pin holder
- 5 push out the pill roll

Lubricate here

Maintaining Liquid Return Filter **D**

- 1 unscrew

Clean filter
Make sure the thread is cleaning
Sealing ring is good

Maintaining Liquid Return Filter **E**

- 1 unscrew
- 2 remove the reservoir cover
- 3 take out the filter

Clean inside

Remarks:

A: Additel has made a concerted effort to provide complete and current information for the proper use of this equipment. The product specifications and other information contained in this manual are subject to change without notice.

B: Above pictures are just for reference.

Additel Corporation, USA
www.additel.com

Connection **A**

dial gauge pressure switch pressure transmitter flexible hose

Vent **A**

Zeroing is only operated under this status.

- 1 loosen the reservoir release valve
- 2 open
- 3 open
- 4 turn all the way out

Increase pressure **B**

Please use small stokes with the pre-pressurization lever.

- 1 close
- 2 open during pre-pressurization
- 3 increase the pressure near the desired pressure [do not use above 10,000 psi (700 bar)]
- 4 close isolation valve for precision measurement
- 5 fine or high pressure adjustment.

Remark: For next point, just repeat the ②③④⑤

Decrease pressure **C**

- 1 open
- 2 slowly open, gradually decrease pressure to desired value
- 3 immediately close
- 4 it can be closed when for precision measurement
- 5 fine adjust

Remark: For next point, just repeat the ②③④⑤