

MAXIMATOR®

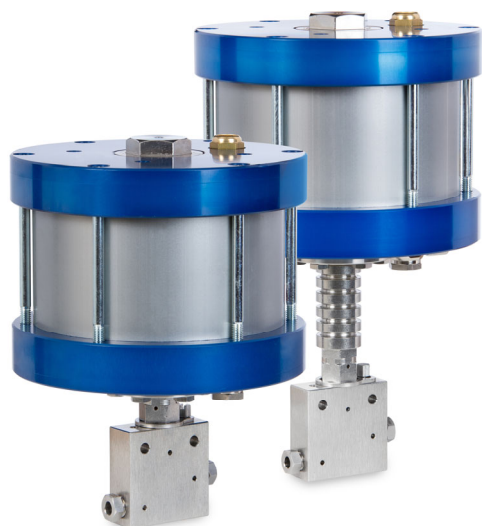
Maximum Pressure.



High Pressure Technology • Testing Equipment
Hydraulics • Pneumatics

Technical Data Sheet

Air Actuated H2-Valve 15V...-(B)-H2-5MNO, 15V...-(B)-H2-5MNC



Technical Data

Operating temperature: -20°C / +80°C (-73°C / +80°C *)

Drive pressure: 73 psi-145 psi (2 bar-10 bar)

Operating pressure: 15200 psi (1050 bar)

Net weight: 5,6 kg

Materials:

Valve body: 1.4404

Valve stem: 1.4980

Seal: HPU (UHMWPE *)

Dimensions:

Height: 195 mm (245 mm *)

Diameter: 155 mm

Orifice: 4M: 2,7 mm / 6M: 5,1 mm

* Results for B-Type with extended connection for low temperature applications

Catalog Part Number

Pressure	Component Type	Connection Size	Type	Stem Type	Body pattern	Configuration
15 = 15200 psi (1050 bar)	V = Valve	4 = 1/4"	M = Medium Pressure	07 = Vee Stem	1 = Two-way Straight	5MNC = Air drive normally closed
					2 = Two-way angle	5MNO = Air drive normally opened
		6 = 3/8"		B = Packing for cold applications (-73°)		

Valve Type	Air pressure required to actuate the valve			
	1-3 ksi (68-200 bar)	8 ksi (500 bar)	12 ksi (800 bar)	15 ksi (1000 bar)
15V...-(B)-H2-5MNC	65 psi (4,5 bar)	65 psi (4,5 bar)	73 psi (5 bar)	73 psi (5 bar)
15V...-(B)-H2-5MNO	29 psi (2 bar)	44 psi (3 bar)	58 psi (4 bar)	73 psi (5 bar)



The valves are marked with an EX sign and are in conformity to Group II Category 2G/2D Explosion group IIC constructive safety.

Please consult factory for more information. All technical and dimensional information subject to change. All General Terms and Conditions of sale, including limitations of our liability, apply to all products and services sold.

MAXIMATOR®

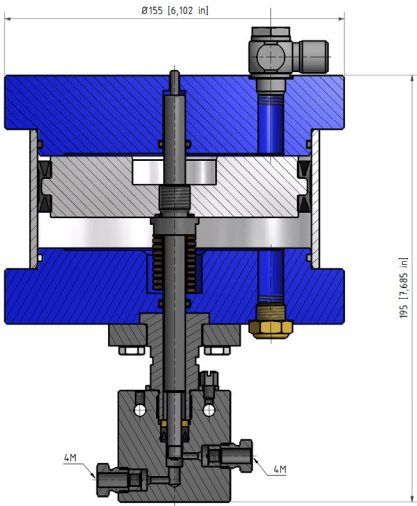
Maximum Pressure.



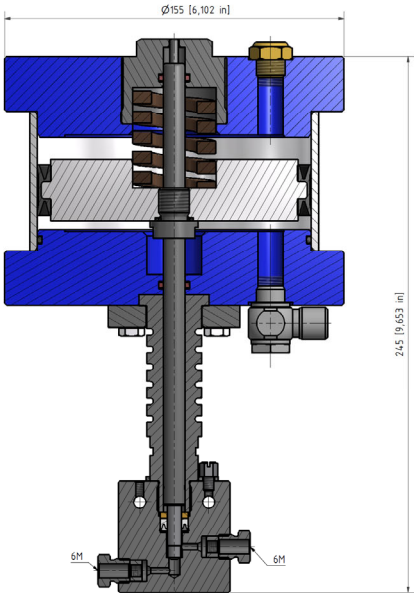
High Pressure Technology • Testing Equipment
Hydraulics • Pneumatics



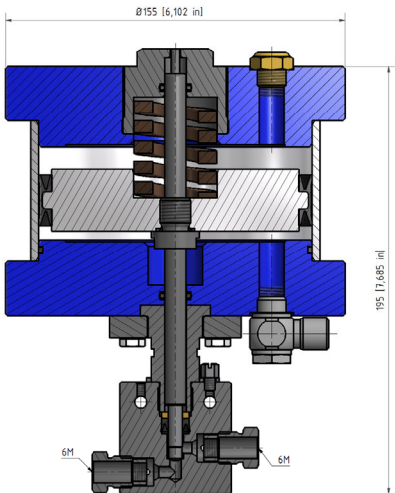
15V4M071-H2-5MNO



15V4M071-B-H2-5MNO



15V6M071-H2-5MNC



15V6M071-B-H2-5MNO

