

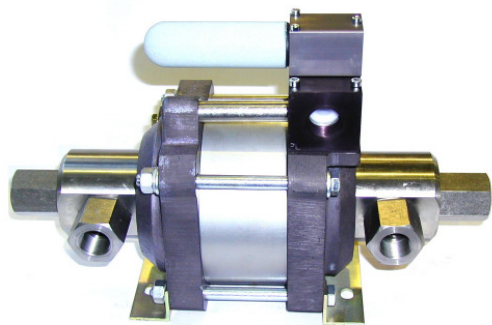
# MAXIMATOR®

## Maximum Pressure.



High Pressure Technology • Testing Equipment  
Hydraulics • Pneumatics

### Technical Data Sheet



G25D  
double acting, single air drive head  
(Standard= Bottom inlet)

G25D

» Oil service

G25DVE

» Water service

#### Technical Data:

|   |                                     |
|---|-------------------------------------|
| Air drive pressure:   | 1-10 bar / 14,5 - 145psi            |
| Calculated Outlet Pressure at an air drive of 10 bar/145 psi: | 270 bar/ 3,915 psi                  |
| Pressure ratio:   | 1:27                                |
| Displacement volume/double stroke                             | 70.6 cm <sup>3</sup> / 4.31 cu.inch |

#### Connections:

|                                |                                |
|--------------------------------|--------------------------------|
| Inlet:                         | Standard: Bottom Inlet 3/4 BSP |
| Outlet:                        | 3/4 BSP                        |
| Air drive:                     | 3/4 BSP                        |
| Maximum operating temperature: | 60°C                           |
| Net weight:                    | 19.0 kg                        |

Pressure and flow performances, please see enclosed graph.

#### Wetted materials of construction:

|               |   |
|---------------|---|
| Seal package: | G25D: Polyurethan, NBR<br>G25DVE: UHMWPE, FKM |
| Pump Body:    | 1.4305  |
| Piston:       | 1.4112 (hardened)                             |
| Fittings:     | 1.4571  |

#### Approximate Dimensions:

|         |        |
|---------|--------|
| Height: | 412 mm |
| Depth:  | 181 mm |
| Width:  | 272 mm |

#### Available Options:

|  |                        |
|--|------------------------|
| Seal material for oil service:           | G25D                   |
| Seal material for water service:         | G25DVE                 |
| Side inlet                               | G25DS/ G25DVES         |
| Special inlet and outlet ports, i.e. NPT | G25D-NPT<br>G25DVE-NPT |

Special seal material to handle special fluids on request.

#### Available Accessories:

|   |  |
|---|--|
| Air control units with filter pressure regulator, control pressure gauge and shut off valve:  | G25D with C2   |
| To protect the pump against excessive outlet pressures or to limit the outlet pressure, a safety valve can be fitted to the air control unit in the air drive line: | G25D with C2/SVair (The required outlet pressure has to be indicated.) |

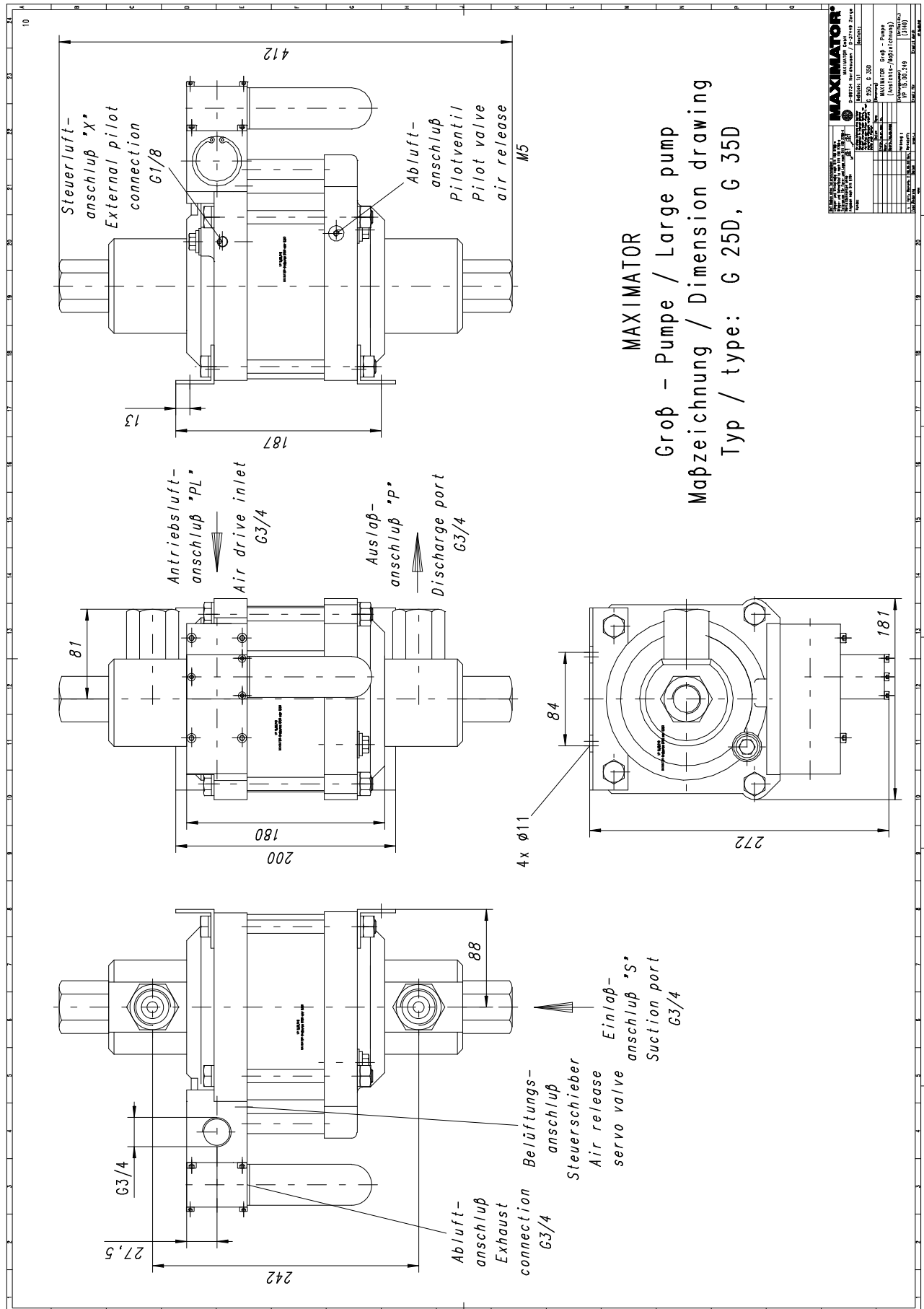
Please consult factory for more information. All technical and dimensional information subject to change. All General Terms and Conditions of sale, including limitations of our liability, apply to all products and services sold.

# MAXIMATOR®

## Maximum Pressure.



High Pressure Technology • Testing Equipment  
Hydraulics • Pneumatics



**MAXIMATOR**  
 PNEUMATISCHE WERKZEUGE  
 G 25D, G 35D

|                      |             |
|----------------------|-------------|
| Technische Zeichnung |             |
| Zeichnungs-Nr.       | 13.01.13.05 |
| Version              | 01          |
| Gründungs-Nr.        |             |
| Datum                |             |
| Gezeichnet           |             |
| Nachgezeichnet       |             |
| Geprüft              |             |
| Freigegeben          |             |
| Abgeschlossen        |             |

MAXIMATOR G 25D, G 35D  
 (max. Druck: 250 bar)  
 (max. Durchfluss: 25 l/min)  
 (max. Leistung: 6,25 kW)  
 (max. Volumenstrom: 25 l/min)  
 (max. Temperatur: 50°C)

### Leistungsdiagramm/Performance Graph G 25 D

Prüfflüssigkeit/Test Liquid: Wasser-Öl-Emulsion/Water Oil Emulsion ca. 1 - 10 cst

