

MAXIMATOR®

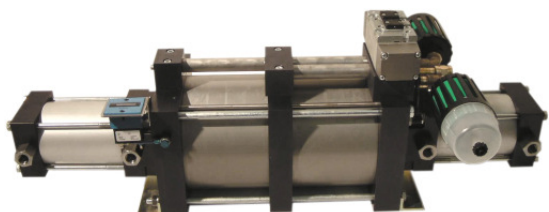
Maximum Pressure.



High Pressure Technology • Testing Equipment
Hydraulics • Pneumatics

Technical Data Sheet

Gas booster 8 DLE 3



8 DLE 3
double acting, double air drive head
single stage

Technical Data:	
Air drive pressure pL:	1-10 bar / 14,5 - 145psi
Pressure ratio i:	1:3,3
Compression ratio	1:15
Minimum suction pressure pA:	0 bar
Maximum suction pressure pA:	40 bar
Maximum outlet pressure pB:	40 bar
Displacement volume/double stroke:	4.100 cm ³
Maximum cycles:	80 / min
Stall pressure:	$PB = i * pL + pA$
Standard Connections:	
Air drive:	3/4 BSP
Inlet/Outlet:	1/2 BSP
Maximum operating temperature	100°C
Net weight:	55 kg

Pressure and flow performances, please see enclosed graph.

Materials of construction hp section:		
Standard seal package:	PTFE, Viton	
Compressor head:	Aluminium, anodised	
HP cylinder:	Aluminium, hard-coated	
HP piston:	1.4305	
Fittings:	1.4305	
Balls:	1.4034	
Springs:	Inconel X750	

Approximate Dimensions:		
Length:	980 mm	
Width:	480 mm	
Height:	345 mm	

Available Accessories:	
Air control units with filter pressure regulator, control pressure gauge and shut off valve:	8 DLE 3 with C2
To protect the booster against excessive outlet pressures or to limit the outlet pressure, a safety valve can be fitted to the air control unit in the air drive line:	8 DLE 3 with C2/SVair (The required outlet pressure has to be indicated.)

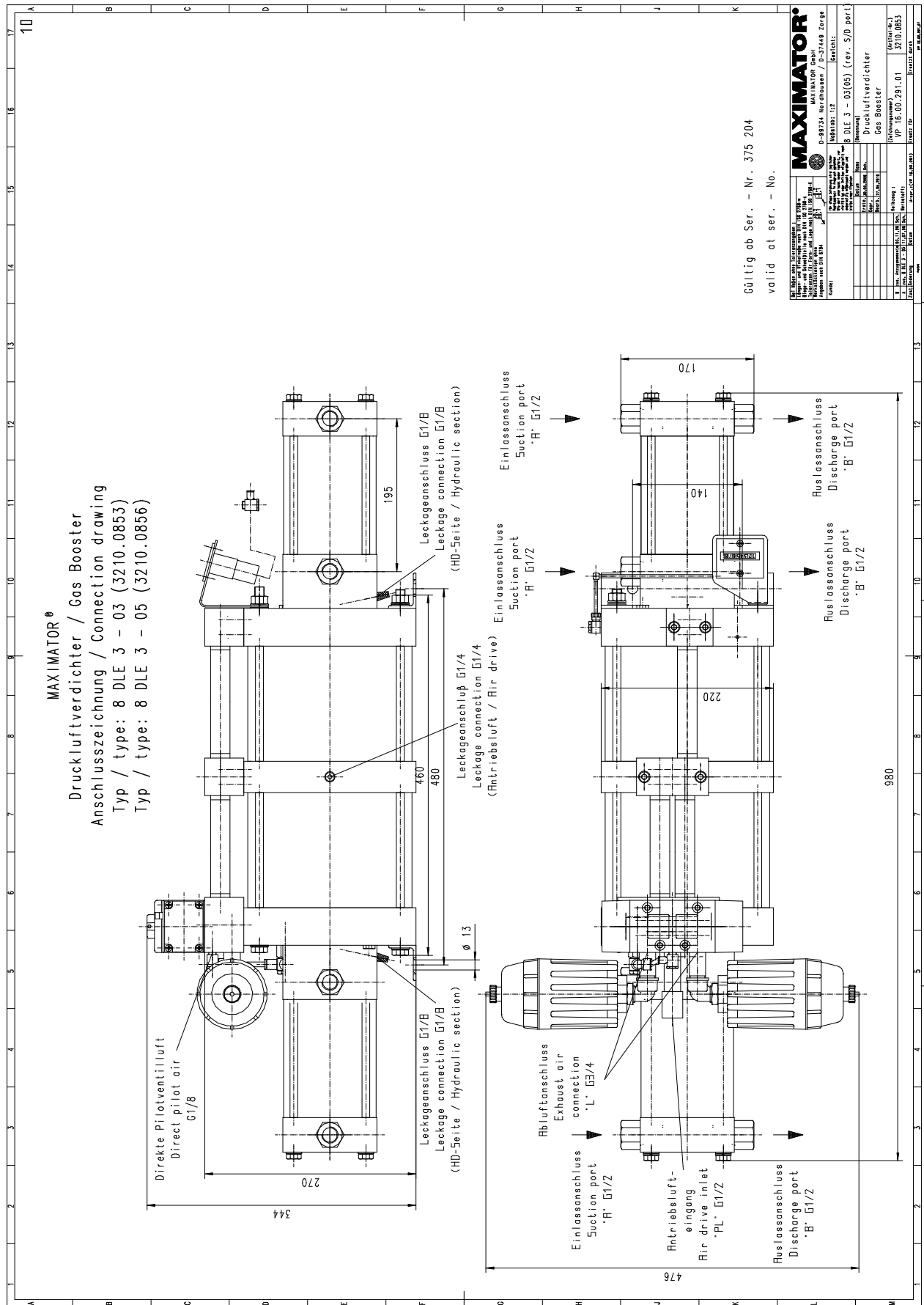
Please consult factory for more information. All technical and dimensional information subject to change. All General Terms and Conditions of sale, including limitations of our liability, apply to all products and services sold.

MAXIMATOR®

Maximum Pressure.



High Pressure Technology • Testing Equipment
Hydraulics • Pneumatics



MAXIMATOR®

Maximum Pressure.



High Pressure Technology • Testing Equipment
Hydraulics • Pneumatics

