

# MAXIMATOR®

## Maximum Pressure.



High Pressure Technology • Testing Equipment  
Hydraulics • Pneumatics

### Technical Data Sheet

### Swivel Joints for Waterjet Cutting and Testing Applications 65SJ...



#### Technical Data

Operating temperature:	+5°C / +60°C
Operating pressure:	65,000 psi (4,500 bar)
Weight:	refer to table "Swivel Types"
<b>Materials:</b>	
Swivel joint body:	1.4542 (17-4PH)
Swivel element:	1.4542 (17-4PH)
Seal:	HPU
O rings:	NBR
<b>Dimensions:</b>	
Height:	refer to following pages
Diameter:	refer to following pages
Orifice:	2,3 mm (4H), 3,2 mm (6H)

Swivel Types						
Catalog No.	Connection	Operating Pressure psi (bar)	Alignment	Number of Swivel Axis	Orifice in. (mm)	Weight kg
65SJ4H-90-1	4H	65,000 (4,500)	90°	1	0.094 (2.3)	0,7
65SJ4H-180-1	4H	65,000 (4,500)	180°	1	0.094 (2.3)	0,8
65SJ6H-90-1	6H	65,000 (4,500)	90°	1	0.125 (3.2)	1,0
65SJ6H-90-2	6H	65,000 (4,500)	90°	2	0.125 3.2	1,4

#### Characteristics

- Robust and compact design
- Low torque at high operating pressure
- For continuous rotation and pivoting in waterjet applications
- Release the tension of stiff high pressure hose connections
- Weep holes on connections for maximum safety
- Low wear because of optimal materials of construction
- Easy maintenance

**Please consult factory for more information.** All technical and dimensional information are subject to change. All General Terms and Conditions of sale, including limitations of our liability, apply to all products and services sold.

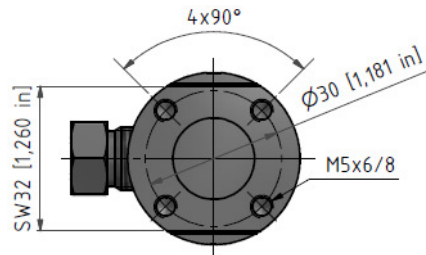
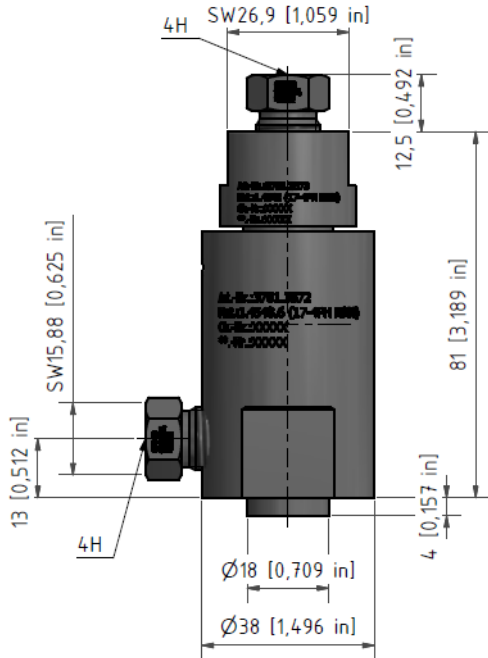
# MAXIMATOR®

## Maximum Pressure.

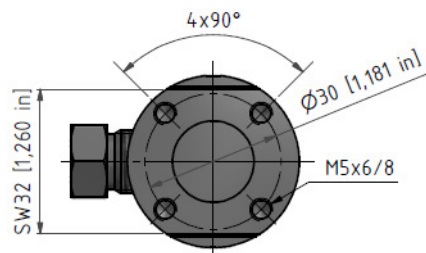
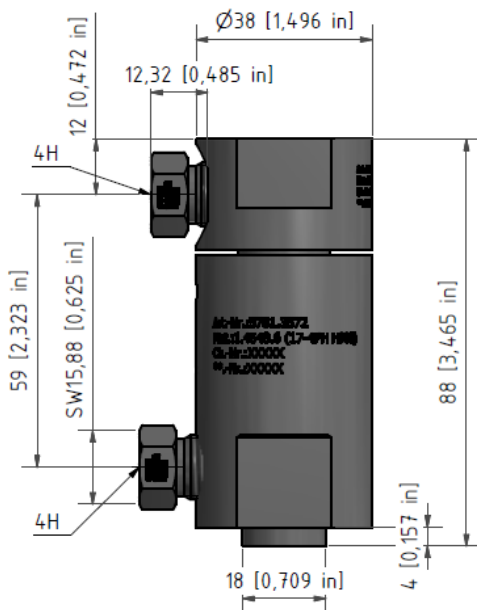


High Pressure Technology • Testing Equipment  
Hydraulics • Pneumatics

### 65SJ4H-90-1:



### 65SJ4H-180-1:



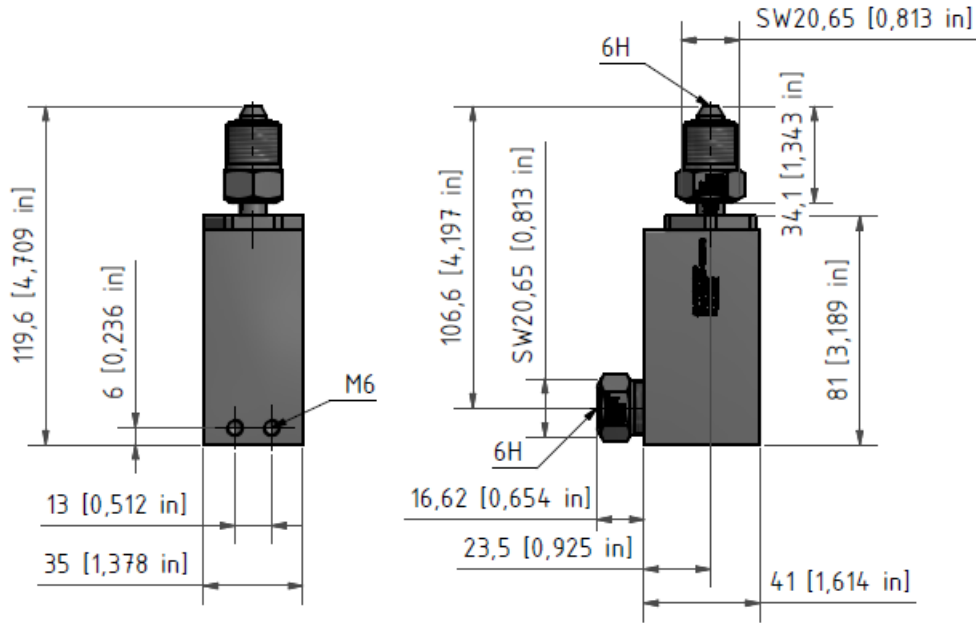
# MAXIMATOR®

## Maximum Pressure.



High Pressure Technology • Testing Equipment  
Hydraulics • Pneumatics

### 65SJ6H-90-1:



### 65SJ6H-90-2:

