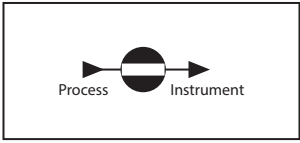


MODEL - BVA1

IN LINE BALL VALVE (413 bar 6000 psi)



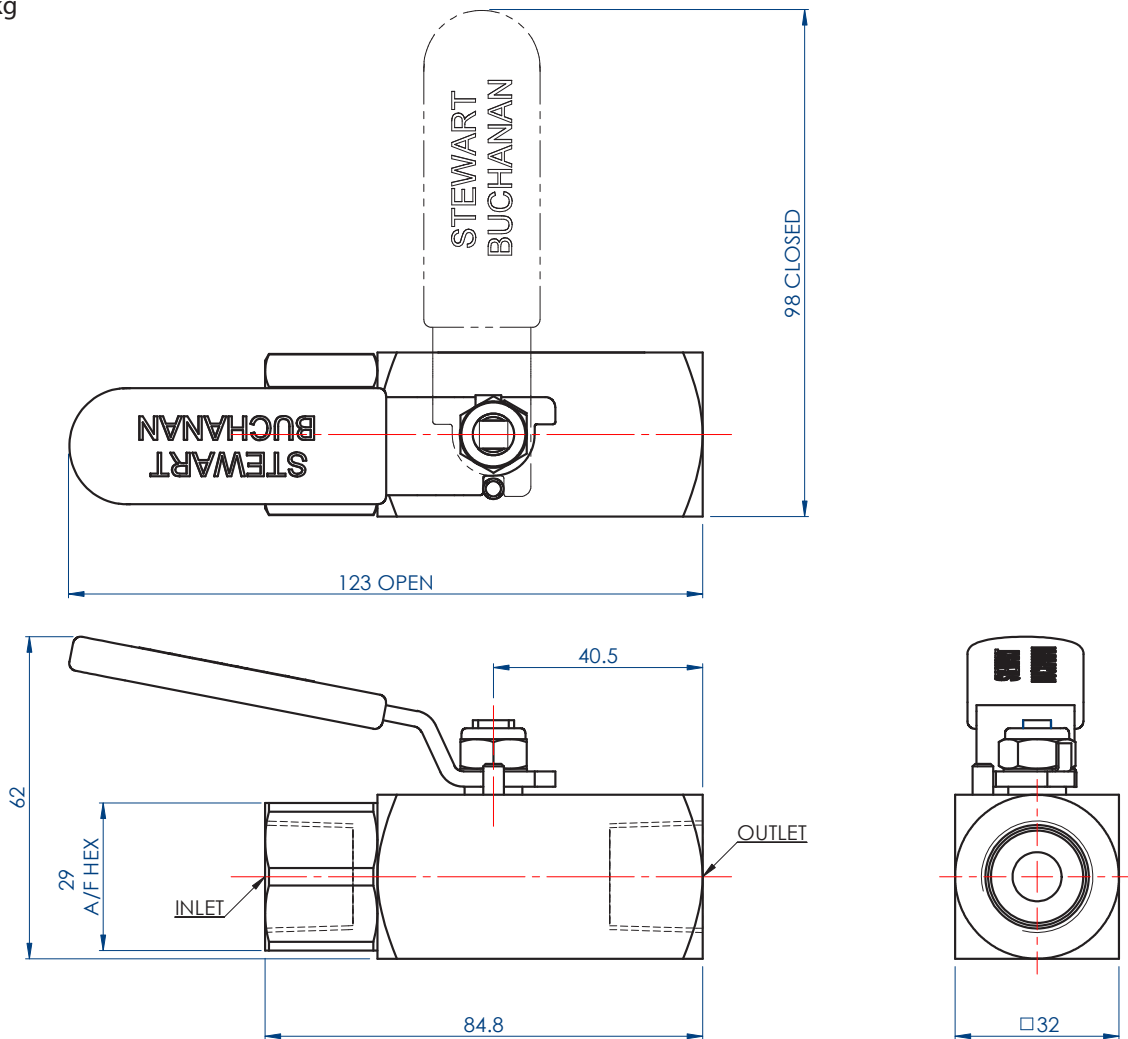
APPLICATION

High Integrity instrument isolation of pressure gauges and pressure transmitters.
Recommended for use in oil, gas and petrochemical applications for essential long-term performance.

Also available in a range of other materials and options
(See HOW TO ORDER Data Sheet).



WEIGHT = 0.6 kg



STEWART-BUCHANAN GAUGES LTD

Sales Office & Manufacturing Facility - 7 Garrell Road, Burnside Industrial Estate, Kilsyth, Glasgow G65 9JX, SCOTLAND
Tel: +44 (0)1236 821533 | Fax: +44 (0)1236 824090 | E-mail: sales@stewarts-group.com | Web: stewarts-group.com

DATA SHEET REF: BVA1-REV01-14

