

## 3-way changeover ball valve DBA-C, steel With male thread

**DN 4 - 40 mm PN bis 500 bar**

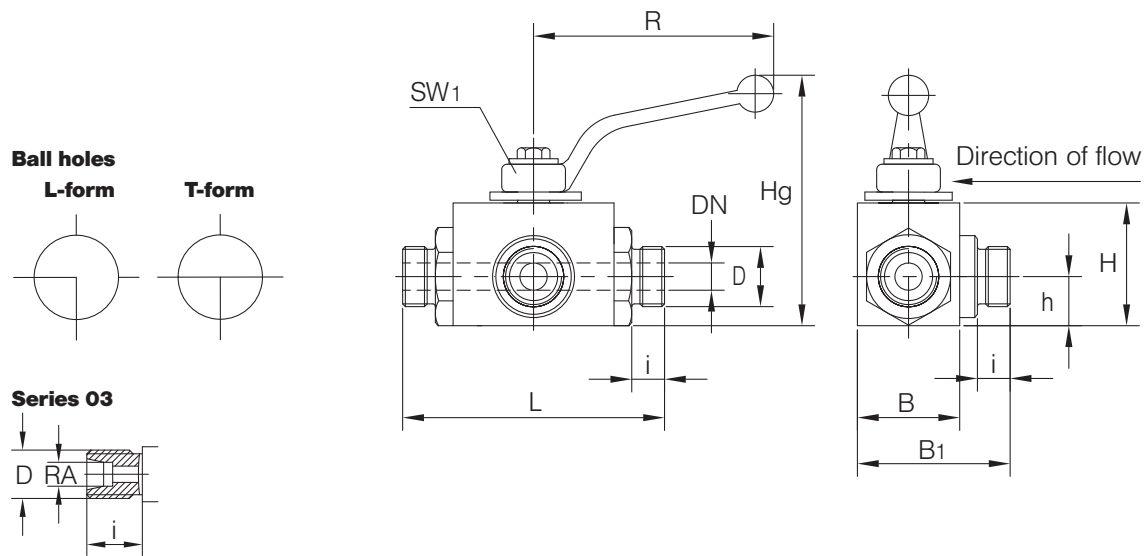
- Series** 02 – male thread on both sides for non-soldering compression fittings with cutting ring DIN 2353 – light-duty series  
03 – male thread on both sides for non-soldering compression fittings with cutting ring DIN 2353 – heavy-duty series

**Temperature range** Standard: -10°C to +90°C  
On request: -50°C to +250°C

**Range of use** Liquids: Liquids group 1 and 2 according to PED 2014/68/EU Article 13  
Gases: Liquids group 1 and 2 according to PED 2014/68/EU Article 13  
As a matter of principle, the resistance to the flow medium must be ensured.

**Technical specification** Up to DN 25, ball valve type DBA-C consists of a block body, from DN 32 it consists of a forged body with connector screwed in on both sides.  
When using this ball valve, please note that, concerning the seal, this is a changeover ball valve. Pressure inlet must therefore be in the centre. Actuators can be attached by means of an extension kit. This retrofit requirement must be specified when placing the order (additional charge).

## Technical data DBA-C



### Series 02 (for non-soldering compression fittings with cutting ring DIN 2353, light-duty series)

DN mm	RA mm	PN bar	D mm	i mm	L mm	B mm	B1 mm	H mm	h mm	Hg mm	R mm	SW1 mm	Weight kg
4	6	500	M 12x1.5	10	76	25	41	30	12.5	61	76	7	0.4
6	8	500	M 14x1.5	10	76	25	41	30	12.5	61	76	7	0.4
8	10	500	M 16x1.5	11	76	30	47	40	15.0	92	112	10	0.6
10	12	500	M 18x1.5	11	80	30	47	40	15.0	92	112	10	0.6
12	15	500	M 22x1.5	12	96	35	55	45	18.0	85	130	10	1.0
16	18	400	M 26x1.5	12	105	40	60	50	21.0	90	130	10	1.1
20	22	320	M 30x2	14	110	45	67	55	24.0	95	130	10	1.4
25	28	320	M 36x2	14	120	55	75	65	30.0	111	160	10	2.4
32	35	160	M 45x2	16	124	55	83	93	38.0	155	250	17	3.8
40	42	160	M 52x2	16	124	55	80	104	45.0	166	250	17	4.5

Note! The pressure rating of the pipe unions can deviate from the nominal pressure rating of the ball valve.

### Series 03 (for non-soldering compression fittings with cutting ring DIN 2353, heavy-duty series)

DN mm	RA mm	PN bar	D mm	i mm	L mm	B mm	B1 mm	H mm	h mm	Hg mm	R mm	SW1 mm	Weight kg
4	8	500	M 16x1.5	12	76	25	43	30	12.5	61	76	7	0.4
6	10	500	M 18x1.5	12	76	25	43	30	12.5	61	76	7	0.4
8	12	500	M 20x1.5	12	76	30	48	40	15.0	92	112	10	0.6
10	14	500	M 22x1.5	14	80	30	50	40	15.0	92	112	10	0.6
12	16	500	M 24x1.5	14	96	35	55	45	18.0	85	130	10	0.9
16	20	400	M 30x2	16	105	40	62	50	21.0	90	130	10	1.1
20	25	320	M 36x2	18	110	45	69	55	24.0	95	130	10	1.4
25	30	320	M 42x2	20	132	55	81	65	30.0	111	160	10	2.4
32	35	320	M 52x2	22	145	Ø76	110	93	38.0	155	250	17	4.0

Note! The pressure rating of the pipe unions can deviate from the nominal pressure rating of the ball valve.

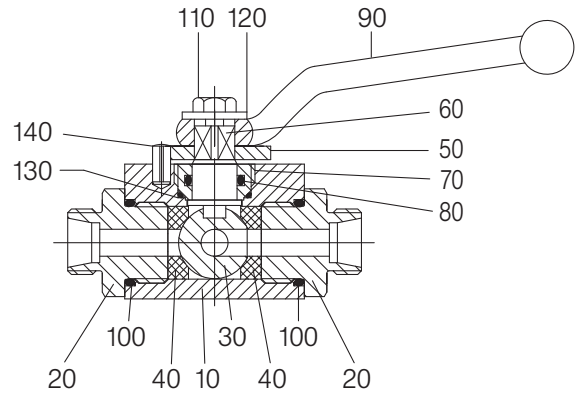
**Example of order:** Ball valve type DBA-C of steel, DN 12 with male thread for non-soldering compression fittings with cutting ring DIN 2353 – light-duty series with L- ball (please state ball hole form)

**DBA-C 12 02-L**

### Parts list DBA-C

Pos.	Designation	Material*
10	Body	Steel
20	Fitting	Steel
30	Ball	Steel
40	Seal	POM
50	Stop washer	
60	Stem	Steel
70	Fitting	Brass
80	O-ring	NBR
90	Hand lever	Zinc die-casting
100	O-ring	NBR
110	Bolt	
120	Washer	
130	O-ring	NBR
140	Stop pin	

\*Standard (can vary according to nominal width), other materials on request.  
Due to the design, not all items are used for all nominal widths.



Please ask separately, where requirements exceed the standard conditions of use listed in this data sheet.  
As a matter of principle, the operating and maintenance instructions, in particular the safety instructions must be observed!  
Operating and maintenance instructions as well as the approval certificates can be downloaded at [www.von-scheven.de](http://www.von-scheven.de).

We reserve the right to carry out technical modifications.