



3-way changeover ball valve DBA-D, stainless steel

With male thread

DN 4 - 40 mm PN bis 500 bar

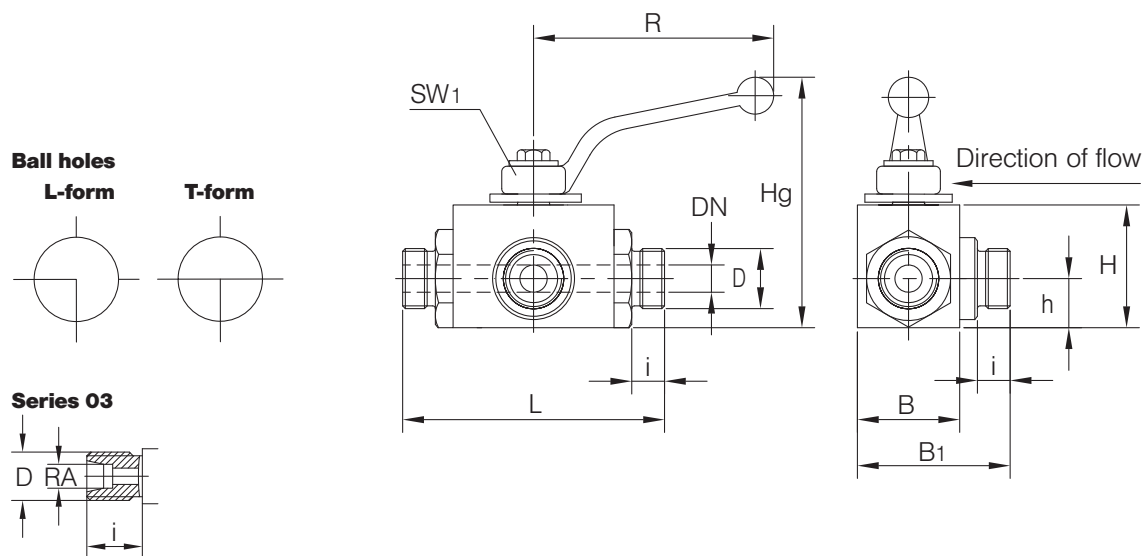
- Series** 02 – male thread on both sides for non-soldering compression fittings with cutting ring DIN 2353 – light-duty series
03 – male thread on both sides for non-soldering compression fittings with cutting ring DIN 2353 – heavy-duty series

Temperature range Standard: -10°C to +90°C
On request: -50°C to +250°C

Range of use Liquids: Liquids group 1 and 2 according to PED 2014/68/EU Article 13
Gases: Liquids group 1 and 2 according to PED 2014/68/EU Article 13
As a matter of principle, the resistance to the flow medium must be ensured.

Technical specification Up to DN 25, ball valve type DBI-C consists of a block body, from DN 32 it consists of a forged body with connector screwed in on both sides.
When using this ball valve, please note that, concerning the seal, this is a changeover ball valve. Pressure inlet must therefore be in the centre. Actuators can be attached by means of an extension kit. This retrofit requirement must be specified when placing the order (additional charge).

Technical data DBA-D



Series 02 (for non-soldering compression fittings with cutting ring DIN 2353, light-duty series)

DN mm	RA mm	PN bar	D mm	i mm	L mm	B mm	B1 mm	H mm	h mm	Hg mm	R mm	SW1 mm	Weight kg
4	6	500	M 12x1.5	10	76	40	56	40	16	92	112	10	0.6
6	8	500	M 14x1.5	10	76	40	56	40	16	92	112	10	0.6
8	10	500	M 16x1.5	11	76	40	57	40	16	92	112	10	0.6
10	12	500	M 18x1.5	11	80	40	57	40	16	92	112	10	0.6
12	15	500	M 22x1.5	12	96	45	65	45	19	85	130	10	0.9
16	18	500	M 26x1.5	12	105	45	65	45	19	85	130	10	1.1
20	22	320	M 30x2	14	110	55	77	55	25	95	130	10	1.4
25	28	320	M 36x2	14	120	65	85	65	30	111	160	10	2.4
32	35	160	M 45x2	16	124	Ø76	104	93	38	155	250	17	3.8
40	42	160	M 52x2	16	124	Ø90	115	104	45	166	250	17	4.5

Note! The pressure rating of the pipe unions can deviate from the nominal pressure rating of the ball valve.

Series 03 (for non-soldering compression fittings with cutting ring DIN 2353, heavy-duty series)

DN mm	RA mm	PN bar	D mm	i mm	L mm	B mm	B1 mm	H mm	h mm	Hg mm	R mm	SW1 mm	Weight kg
4	8	500	M 16x1.5	12	76	40	58	40	16	92	112	10	0.6
6	10	500	M 18x1.5	12	76	40	58	40	16	92	112	10	0.6
8	12	500	M 20x1.5	12	76	40	58	40	16	92	112	10	0.6
10	14	500	M 22x1.5	14	80	40	60	40	16	92	112	10	0.6
12	16	500	M 24x1.5	14	96	45	65	45	19	85	130	10	0.9
16	20	500	M 30x2	16	105	45	67	50	19	85	130	10	1.1
20	25	320	M 36x2	18	110	55	79	55	25	95	130	10	1.4
25	30	320	M 42x2	20	132	65	91	65	30	111	160	10	2.4
32	35	160	M 52x2	22	136	Ø70	104	93	38	155	250	17	4.0

Note! The pressure rating of the pipe unions can deviate from the nominal pressure rating of the ball valve.

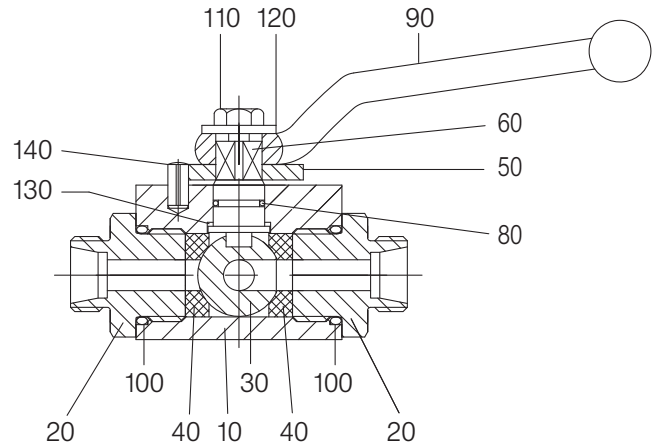
Example of order: Ball valve type DBA-D of steel, DN 12 with male thread for non-soldering compression fittings with cutting ring DIN 2353 – light-duty series with L-ball (please state ball hole form)

DBA-D 12 02-L

Parts list DBA-D

Pos.	Designation	Material*
10	Body	Stainless steel
20	Fitting	Stainless steel
30	Ball	Stainless steel
40	Seal	POM
50	Stop washer	
60	Stem	Stainless steel
80	O-ring	FPM
90	Hand lever	Zinc die-casting
100	O-ring	FPM
110	Bolt	
120	Washer	
130	Sliding ring	PTFE
140	Stop pin	

*Standard (can vary according to nominal width), other materials on request.
Due to the design, not all items are used for all nominal widths.



Please ask separately, where requirements exceed the standard conditions of use listed in this data sheet.
As a matter of principle, the operating and maintenance instructions, in particular the safety instructions must be observed!
Operating and maintenance instructions as well as the approval certificates can be downloaded at www.von-scheven.de.

We reserve the right to carry out technical modifications.