



3-way changeover ball valve DBF-C, DBF-D, steel, stainless steel With flange connection

DN 25 - 100 mm PN bis 40 bar

Series 26 – PN 16 according to DIN EN 1092-1
28 – PN 40 according to DIN EN 1092-1

Face-to-face lengths DIN EN 558 FTF basic series 1 (alternatively: DIN 3202-1 Series F1)

Temperature range Standard: -10°C to +150°C
On request: -50°C to +250°C

Range of use Liquids: Liquids group 1 and 2 according to PED 2014/68/EU Article 13
Gases: Liquids group 1 and 2 according to PED 2014/68/EU Article 13
As a matter of principle, the resistance to the flow medium must be ensured.

Technical specification DBF-C and DBF-D type ball valves consist of a 3-part body. The stem is blowout-proof and, from nominal width DN 32 is provided with a two-fold O-ring seal.

When using these ball valves, please note that, concerning the seal, this is a changeover ball valve. Pressure inlet must therefore be in the centre. Actuators can be attached by means of an extension kit. This retrofit requirement must be specified when placing the order (additional charge).

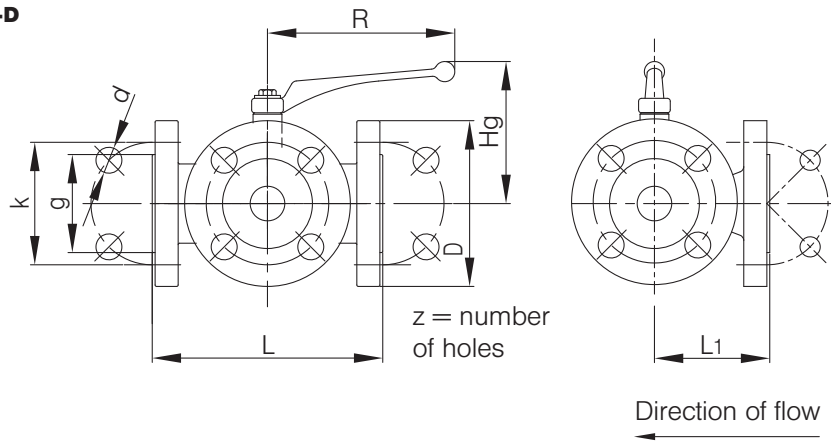
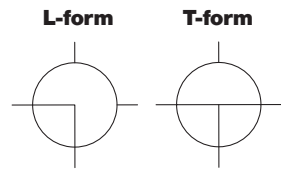
Please ask separately, where requirements exceed the standard conditions of use listed in this data sheet.

As a matter of principle, the operating and maintenance instructions, in particular the safety instructions must be observed! Operating and maintenance instructions as well as the approval certificates can be downloaded at www.von-scheven.de.

We reserve the right to carry out technical modifications.

Technical data DBF-C, DBF-D

Ball holes



Series 26 (PN 16 according to DIN EN 1092-1)

DN mm	L mm	L1 mm	D mm	g mm	k mm	z mm	d mm	Hg mm	R mm	SW mm
25	160	80	115	68	85	4	14	82	160	10
32	180	90	140	78	100	4	18	117	250	17
40	200	100	150	88	110	4	18	121	250	17
50	230	115	165	102	125	4	18	128	250	17
65	290	125	185	122	145	4	18	158	250	17
80	310	155	200	138	160	8	18	181	370	22
100	350	175	220	158	180	8	18	350	370	22
125*)	400	200	250	188	210	8	18	170	520	22

*) clear width 100 mm

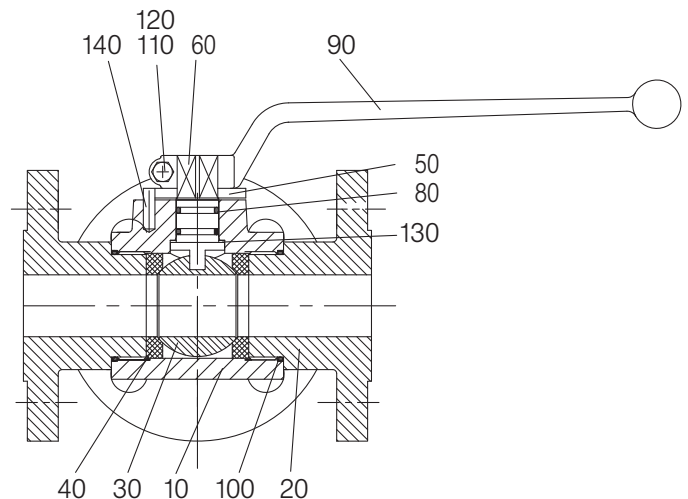
Series 28 (PN 40 according to DIN EN 1092-1)

DN mm	L mm	L1 mm	D mm	g mm	k mm	z mm	d mm	Hg mm	R mm	SW mm
25	160	80	115	68	85	4	14	82	160	10
32	180	90	140	78	100	4	18	117	250	17
40	200	100	150	88	110	4	18	121	250	17
50	230	115	165	102	125	4	18	128	250	17
65	290	145	185	122	145	8	18	158	250	17
80	310	155	200	138	160	8	18	181	370	22
100	350	175	235	162	190	8	22	194	370	22

Example of order: Ball valve type DBF-C DN 50 with flange connection PN 16 according to DIN EN 1092-1 with L-bore (please state ball hole form) **DBF-C 5026-L**

Parts list

Pos.	Designation	DBF-C Material*	DBF-D Material*
10	Body	Steel	Stainless steel
20	Screw-in flange	Steel	Stainless steel
30	Ball	Steel	Stainless steel
40	Seal	PTFE	PTFE
50	Stop washer		
60	Stem	Steel	Stainless steel
80	O-ring	NBR	NBR
90	Hand lever	Zinc die-casting	Zinc die-casting
100	O-ring	NBR	NBR
110	Bolt		
120	Washer		
130	Sliding ring	PTFE	PTFE
140	Stop pin		



*Standard (can vary according to nominal width), other materials on request. Due to the design, not all items are used for all nominal widths.