



# High-pressure block ball valve HBI-D, stainless steel

## With female thread

**DN 4 - 25 mm PN max. 500 bar**

**Series** 06 – female thread on both sides DIN EN ISO 228-1  
42 – NPT female thread ANSI/ASME B1.20.1

**Face-to-face lengths** DIN 3202 – 4 series M3

**Temperature range** Standard: -10°C bis +90°C  
On request: -50°C bis +250°C

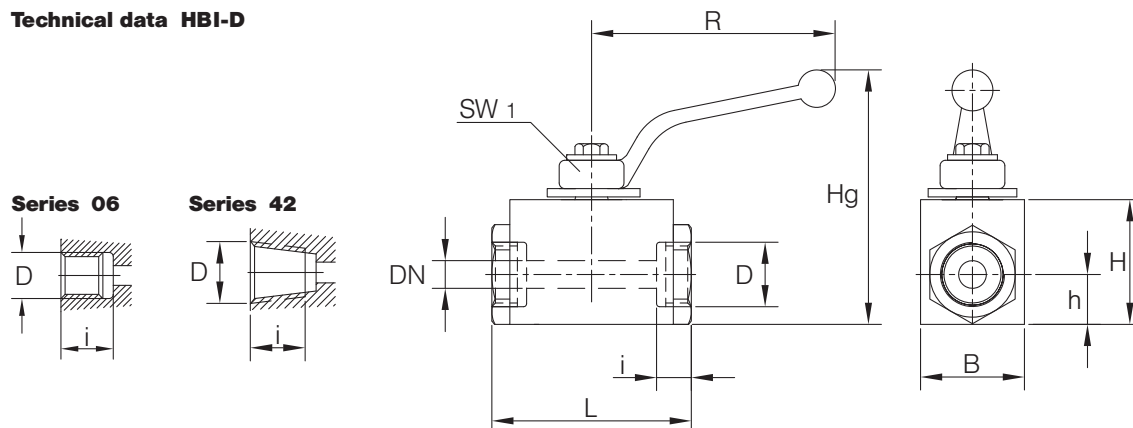
**Range of use** Liquids: Liquids group 1 and 2 according to PED 2014/68/EU Article 13  
Gases: Liquids group 1 and 2 according to PED 2014/68/EU Article 13  
As a matter of principle, the resistance to the flow medium must be ensured.

**Technical specification** The HBI-D type ball valve consists of a block body with connector screwed in on both sides. The stem is fitted blowout-proof. Actuators can be attached by means of an extension kit. This retrofit requirement must be specified when placing the order (additional charge).

Please ask separately for requirements that exceed the standard conditions of use listed in this data sheet.  
As a matter of principle, the safety information provided in the operating and servicing manual must be observed!  
The operating and servicing manuals as well as the approval certificates can be downloaded at [www.von-scheven.de](http://www.von-scheven.de).

We reserve the right to carry out technical modifications.

**Technical data HBI-D**



**Series 06** (female thread on both sides DIN EN ISO 228 - 1)

DN mm	PN bar	D	i mm	L mm	B mm	H mm	h mm	Hg mm	R mm	SW1 mm	Weight kg
4	500	G 1/8"	11.0	60*	40	40	16	92	112	10	0.6
6	500	G 1/4"	12.5	60*	40	40	16	92	112	10	0.6
10	500	G 3/8"	12.5	80*	40	40	16	92	112	10	0.6
15	500	G 1/2"	16.0	75	45	45	19	85	130	10	1.1
20	400	G 3/4"	18.0	80	55	55	25	95	130	10	1.3
25	400	G 1"	20.0	90	65	65	30	111	160	10	2.2

\*Deviating from face-to-face length M3; where necessary request face-to-face lengths in special version.

**Series 42** (NPT female thread ANSI/ASME B1.20.1)

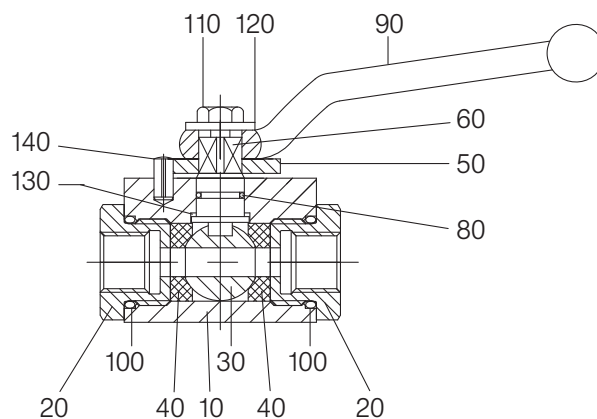
DN mm	PN bar	D	i mm	L mm	B mm	H mm	h mm	Hg mm	R mm	SW1 mm	Weight kg
4	500	NPT 1/8"	11.0	60*	40	40	16	92	112	7	0.60
6	500	NPT 1/4"	12.5	60*	40	40	16	92	112	7	0.60
10	500	NPT 3/8"	12.5	80*	40	40	16	92	112	10	0.60
15	500	NPT 1/2"	15.0	75	45	45	19	85	130	10	1.10
20	400	NPT 3/4"	18.0	80	55	55	25	95	130	10	1.30
25	400	NPT 1"	20.0	90	65	65	30	111	160	10	2.21

\*Deviating from face-to-face length M3; where necessary request face-to-face lengths in special version.

**Example of order:** Ball valve type HBI-D DN 15 made of stainless steel with female thread DIN EN ISO 228-1 (Series 06) **HBI-D 15 06**

**Parts list HBI-D**

Pos.	Designation	Material*
10	Body	Stainless steel
20	Fitting	Stainless steel
30	Ball	Stainless steel
40	Seal	POM
50	Stop washer	Stainless steel
60	Stem	Stainless steel
80	O-ring	NBR
90	Hand lever	Zinc die-casting
100	O-ring	NBR
110	Bolt	
120	Washer	
130	Sliding ring	PTFE
140	Stop pin	



\*Standard (can vary according to nominal width), other materials on request. Due to the design, not all items are used for all nominal widths.