



## 2/2-way high-pressure block ball valve HBP-C, HBP-D, steel and stainless steel

### For manifold installation

**DN 6 - 25 mm PN max. 500 bar**

Also available as a stainless steel ball valve.  
2/2-way manifold ball valves DN 32 to DN 50 on request

**Temperature range** Standard: -10°C to +90°C  
On request: -50°C to +250°C

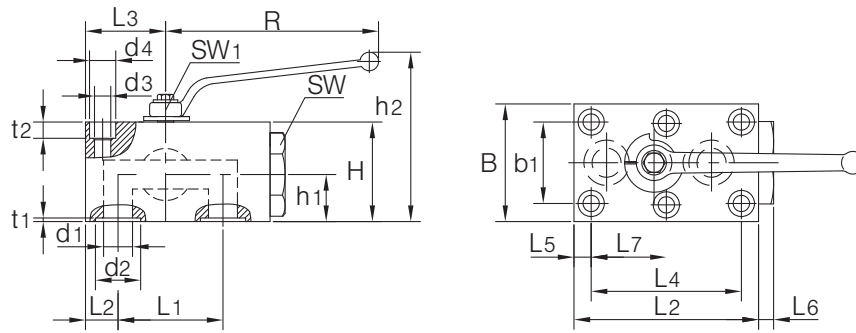
**Range of use** Liquids: Liquids group 1 and 2 according to PED 2014/68/EU Article 13  
Gases: Liquids group 1 and 2 according to PED 2014/68/EU Article 13  
As a matter of principle, the resistance to the flow medium must be ensured.

**Technical specification** The HBP-C type ball valve has been specially developed for installation on control blocks. The need to use hoses or piping can be avoided through direct flanging on to the control block.  
Actuators can be attached by means of an extension kit. This retrofit requirement must be specified when placing the order (additional charge).

Please ask separately, where requirements exceed the standard conditions of use listed in this data sheet,  
As a matter of principle, the operating and maintenance instructions, in particular the safety instructions must be observed!  
Operating and maintenance instructions as well as the approval certificates can be downloaded at [www.von-scheven.de](http://www.von-scheven.de).

We reserve the right to carry out technical modifications.

**Technical data HBP-C, HBP-D**

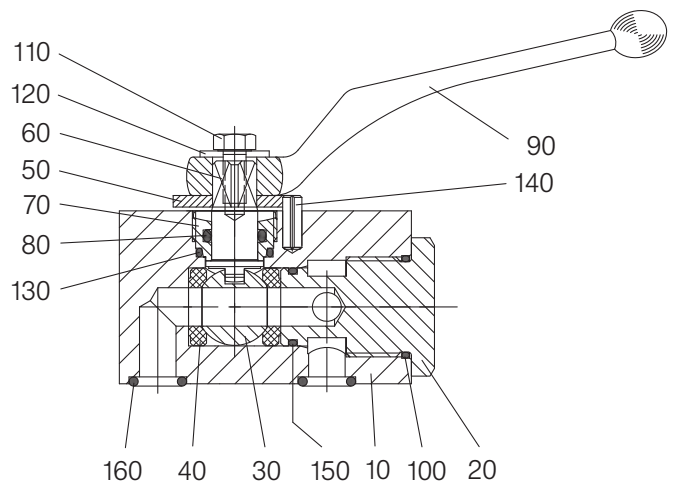


DN mm	PN bar	L1 mm	L2 mm	L3 mm	L4 mm	L5 mm	L6 mm	L7 mm	L mm	b1 mm	B mm	H mm	h1 mm	h2 mm
6	500	35	8.5	24.5	35	8.5	5	-	57	27	40	40	20	72
10	500	44	10.0	30.0	55	7.5	5	27.5	76	40	55	45	20	97
16	500	58	18.0	44.3	83	9.0	10	41.5	102	45	65	55	26	95
20	320	69	20.0	51.0	97	19.0	19	48.5	117	51	70	70	40	110
25	320	81	24.0	60.0	115	10.0	7	57.5	135	60	80	80	46	126

DN mm	t1 mm	t2 mm	d1 mm	d2 mm	d3 mm	d4 mm	SW1 mm	SW mm	R mm	Weight kg
6	1.8	7	6.0	12	6.5	11.0	7	22	76	0.7
10	1.8	9	9.5	15	9.0	13.5	10	27	112	1.3
16	1.8	9	16.0	25	9.0	13.5	10	36	130	2.4
20	2.7	11	20.0	30	11.0	18.0	10	41	130	4.1
25	2.7	11	23.5	35	11.0	18.0	10	50	160	6.3

**Example of order:** HBP-C 25 type ball valve made of steel, DN25 for 2-way manifold installation  
**HBP-C 25**

Parts list		HBP-C	HBP-D
Pos.	Designation	Material*	Material*
10	Body	Steel	Stainless steel
20	Fitting	Steel	Stainless steel
30	Ball	Steel	Stainless steel
40	Seal	POM	POM
50	Stop washer	Steel	Stainless steel
60	Stem	Steel	Stainless steel
70	Fitting	Brass	Stainless steel
80	O-ring	NBR	NBR
90	Hand lever	Zinc die-casting	Zinc die-casting
100	O-ring	NBR	NBR
110	Bolt		
120	Washer		
130	O-ring	NBR	PTFE
140	Stop pin		
150	O-ring	NBR	NBR
160	O-ring	NBR	NBR



\*Standard (can vary according to nominal width), other materials on request.  
 Due to the design, not all items are used for all nominal widths.