

3/2-way high-pressure block ball valve HBPD-C, HBPD-D, steel and stainless steel

For manifold installation

DN 6 - 25 mm PN max. 500 bar

3/2-way manifold ball valves DN 32 to DN 50 on request.

Temperature range Standard: -10°C to +90°C
On request: -50°C to +250°C

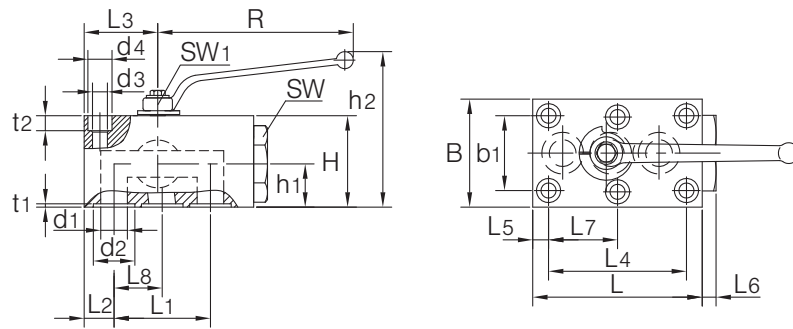
Range of use Liquids: Liquids group 1 and 2 according to PED 2014/68/EU Article 13
Gases: Liquids group 1 and 2 according to PED 2014/68/EU Article 13
As a matter of principle, the resistance to the flow medium must be ensured.

Technical specification The HBPD-C type three-way changeover ball valve has been specially developed for installation on control blocks. The need to use hoses or piping can be avoided through direct flanging on to the control block. When using this ball, please note that, concerning the seal, this is a changeover ball valve. Pressure inlet must therefore be in the centre. Actuators can be attached by means of an extension kit. This retrofit requirement must be specified when placing the order (additional charge).

Please ask separately, where requirements exceed the standard conditions of use listed in this data sheet,
As a matter of principle, the operating and maintenance instructions, in particular the safety instructions must be observed!
Operating and maintenance instructions as well as the approval certificates can be downloaded at www.von-scheven.de.

We reserve the right to carry out technical modifications.

Technical data HBDP-C, HBDP-D

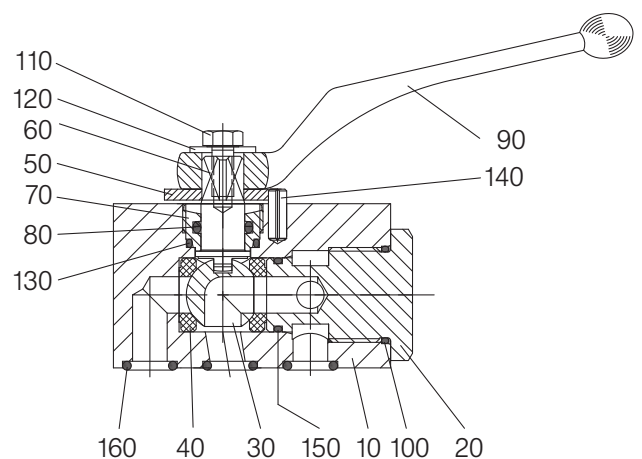


DN mm	PN bar	L1 mm	L2 mm	L3 mm	L4 mm	L5 mm	L6 mm	L7 mm	L8 mm	L mm	b1 mm	B mm	H mm	h1 mm
6	500	35	8.5	24.5	35	8.5	5	-	17.5	57	27	40	40	20
10	500	44	10.0	30.0	55	7.5	5	27.5	22.0	76	40	55	45	20
16	500	58	18.0	44.3	83	9.0	10	41.5	29.0	102	45	65	55	26
20	320	69	20.0	51.0	97	19.0	19	48.5	34.5	117	51	70	70	40
25	320	81	24.0	60.0	115	10.0	7	57.5	40.5	135	60	80	80	46

DN mm	h2 mm	t1 mm	t2 mm	d1 mm	d2 mm	d3 mm	d4 mm	SW1 mm	SW mm	R mm	Weight kg
6	72	1.8	7	6.0	12	6.5	11.0	7	22	76	0.7
10	97	1.8	9	9.5	15	9.0	13.5	10	27	112	1.3
16	95	1.8	9	16.0	25	9.0	14.5	10	36	130	2.4
20	110	2.7	11	20.0	30	11.0	18.0	10	41	130	4.1
25	126	2.7	11	23.5	35	11.0	18.0	10	50	160	6.3

Example of order: HBDP-C 25 type ball valve made of steel, DN25 for 3-way manifold installation
HBDP-C 25

Parts list		HBDP-C	HBDP-D
Pos.	Designation	Material*	Material*
10	Body	Steel	Stainless steel
20	Fitting	Steel	Stainless steel
30	Ball	Steel	Stainless steel
40	Seal	POM	POM
50	Stop washer		
60	Stem	Steel	Stainless steel
70	Fitting	Brass	Stainless steel
80	O-ring	NBR	NBR
90	Hand lever	Zinc die-casting	Zinc die-casting
100	O-ring	NBR	NBR
110	Bolt		
120	Washer		
130	O-ring	NBR	PTFE
140	Stop pin		
150	O-ring	NBR	NBR
160	O-Ring	NBR	NBR



*Standard (can vary according to nominal width), other materials on request.
 Due to the design, not all items are used for all nominal widths.