



High-pressure ball valve HSKA-C, steel With male thread

DN 6 - 40 mm PN max. 500 bar

- Series**
- 02 – male thread on both sides for non-soldering compression fittings with cutting ring DIN 2353 – light-duty series
 - 03 – male thread on both sides for non-soldering compression fittings with cutting ring DIN 2353 – heavy-duty series
 - 05 – male thread on both sides flat sealing for pipe thread DIN EN ISO 228-1
 - 44 – male thread on both sides flat sealing NPT ANSI/ASME B 1.20.1

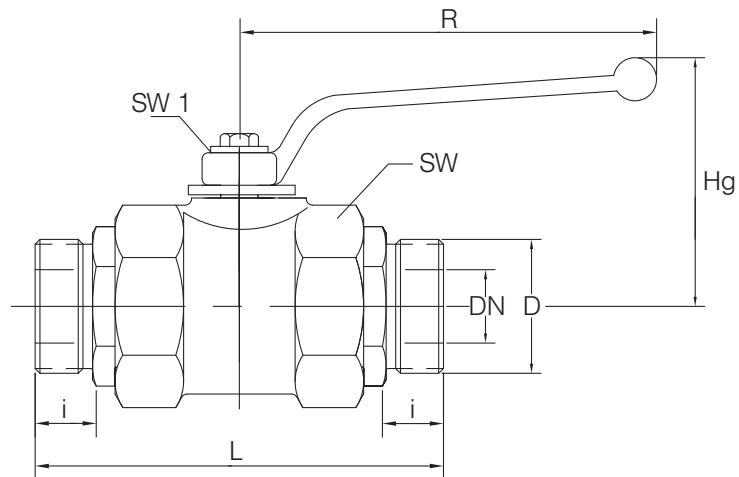
Face-to-face lengths DIN 3202 – 5 series V1

Temperature range Standard: -10°C to +90°C
On request: -50°C to +250°C

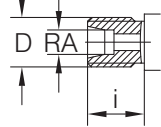
Range of use Liquids: Liquids group 1 and 2 according to PED 2014/68/EU Article 13
Gases: Liquids group 1 and 2 according to PED 2014/68/EU Article 13
As a matter of principle, the resistance to the flow medium must be ensured.

Technical specification The HSKA-C type ball valve consists of a forged body with connector screwed in on one or both sides. The stem is blowout-proof. Up to nominal width DN 25, the stem is fitted from the outside by means of a fitting. Simple replacement of the stem seal is ensured by the fitting used. A stem seal in accordance with the German Technical Instructions on Air Quality Control (TA Luft) is available as standard from nominal width DN 32 and can be used, on request, up to nominal width DN 25 for an additional charge. Actuators can be attached, from nominal width DN 32, by means of an extension kit. This retrofit requirement is available as standard.

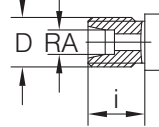
Technical data HSKA-C



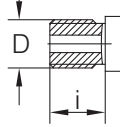
Series 02



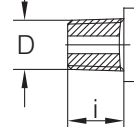
Series 03



Series 05



Series 44



Series 02 (for non-soldering compression fittings with cutting ring DIN 2353, light-duty series)

DN mm	RA mm	PN bar	D	i mm	L mm	SW mm	Hg mm	R mm	SW1 mm	Weight kg
8	10	500	M 16x1.5	11	76	32	77	112	10	0.4
10	12	500	M 18x1.5	11	80	32	77	112	10	0.4
12	15	500	M 22x1.5	12	96	Ø40	67	130	10	0.6
16	18	500	M 26x1.5	12	105	Ø40	69	130	10	1.0
20	22	320	M 30x2	14	110	46	71	130	10	1.0
25	28	320	M 36x2	14	120	55	82	160	10	1.6
32	35	320 **	M 45x2	16	145	Ø76	117	250	17	3.5
40	42	320 **	M 52x2	16	150	Ø90	121	250	17	4.1

**On request, a light-duty version (pressure rating PN 160) with altered face-to-face length is also available.
Note! The pressure rating of the pipe unions can deviate from the nominal pressure rating of the ball valve.

Series 03 (for non-soldering compression fittings with cutting ring DIN 2353, heavy-duty series)

DN mm	RA mm	PN bar	D	i mm	L mm	SW mm	Hg mm	R mm	SW1 mm	Weight kg
8	12	500	M 20x1.5	12	76	32	77	112	10	0.4
10	14	500	M 22x1.5	14	80	32	77	112	10	0.4
12	16	500	M 24x1.5	14	96	Ø40	67	130	10	0.6
16	20	500	M 30x2	16	105	Ø40	69	130	10	1.0
20	25	320	M 36x2	18	110	46	71	130	10	1.0
25	30	320	M 42x2	20	132 *	55	82	160	10	1.6
32	38	320 **	M 52x2	22	145	Ø76	117	250	17	3.5

*Deviating from the length V1, where necessary request special version in length V1.

**On request, a light-duty version (pressure rating PN 160) with altered face-to-face length is also available.
Note! The pressure rating of the pipe unions can deviate from the nominal pressure rating of the ball valve.

Series 05 (for flat sealing pipe union DIN EN ISO 228-1)

DN mm	PN bar	D	i mm	L mm	SW mm	Hg mm	R mm	SW1 mm	Weight kg
8	500	G3/8"	12	76	32	77	112	10	0.4
10	500	G1/2"	12	80	32	77	112	10	0.4
15	500	G3/4"	14	103 *	Ø40	69	130	10	1.0
20	320	G1"	16	109 *	46	71	130	10	1.0
25	320	G1 1/4"	18	128 *	55	82	160	10	1.6

*Deviating from the length V1, where necessary request special version in length V1.

Series 44 (for flat sealing NPT - male thread ANSI/ASME B 1.20.1)

DN mm	PN bar	D	i mm	L mm	SW mm	Hg mm	R mm	SW1 mm	Weight kg
6	500	NPT 1/4"	14.5	84 *	32	77	112	10	0.4
8	500	NPT 3/8"	14.5	84 *	32	77	112	10	0.4
10	500	NPT 1/2"	19.0	93 *	Ø40	67	130	10	0.6
15	500	NPT 3/4"	19.0	113 *	Ø40	69	130	10	1.0
20	320	NPT 1"	24.0	125 *	46	71	130	10	1.0
25	320	NPT 1 1/4"	24.5	141 *	55	82	160	10	1.6

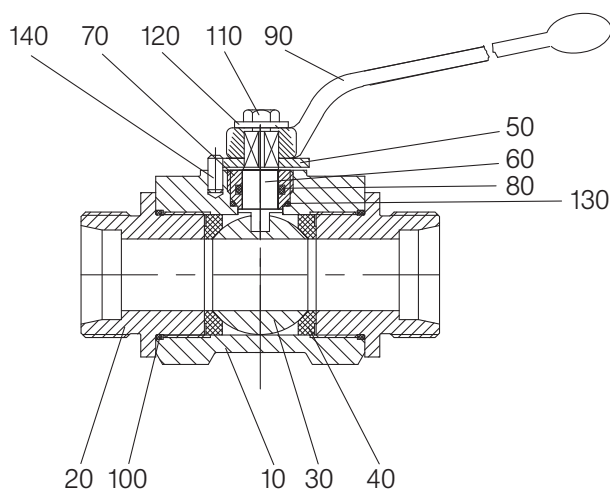
*Deviating from the length V1, where necessary request special version in length V1.

Example of order: Ball valve type HSKA-C made of steel, DN 12 with male thread for non-soldering compression fittings with cutting ring DIN 2353 – light-duty series
HSKA-C 12 02

Parts list HSKA-C

Pos.	Designation	Material*
10	Body	Steel
20	Fitting	Steel
30	Ball	11SMn30
40	Seal	POM
50	Stop washer	Steel
60	Stem	Steel
70	Fitting	Brass
80	O-ring	NBR
90	Hand lever	Zinc die-casting
100	O-ring	NBR
110	Bolt	
120	Washer	
130	O-ring	NBR
140	Stop pin	

*Standard (can vary according to nominal width), other materials on request.
Due to the design, not all items are used for all nominal widths.



Please ask separately for requirements that exceed the standard conditions of use listed in this data sheet.

As a matter of principle, the safety information provided in the operating and servicing manual must be observed!

The operating and servicing manuals as well as the approval certificates can be downloaded at www.von-scheven.de.

We reserve the right to carry out technical modifications.