



High-pressure ball valve HSKA-D, stainless steel

With male thread

DN 32 - 40 mm PN max. 320 bar

Up to DN 25 please revert to type HBA-D.

- Series** 02 – male thread on both sides for non-soldering compression fittings with cutting ring DIN 2353 - light-duty series
03 – male thread on both sides for non-soldering compression fittings with cutting ring DIN 2353 – heavy-duty series

Face-to-face lengths DIN 3202 – 5 series V1

Temperature range Standard: -10°C to +90°C
On request: -50°C to +250°C

Range of use Liquids: Liquids group 1 and 2 according to PED 2014/68/EU Article 13
Gases: Liquids group 1 and 2 according to PED 2014/68/EU Article 13
As a matter of principle, the resistance to the flow medium must be ensured.

Technical specification The HSKA-D type ball valve consists of a forged body with connector screwed in on one or both sides. The stem is blowout-proof. A stem seal in accordance with the German Technical Instructions on Air Quality Control (TA Luft) is available as standard from nominal width DN 32. Actuators can be attached, from nominal width DN 32, by means of an extension kit. This retrofit requirement is available as standard.

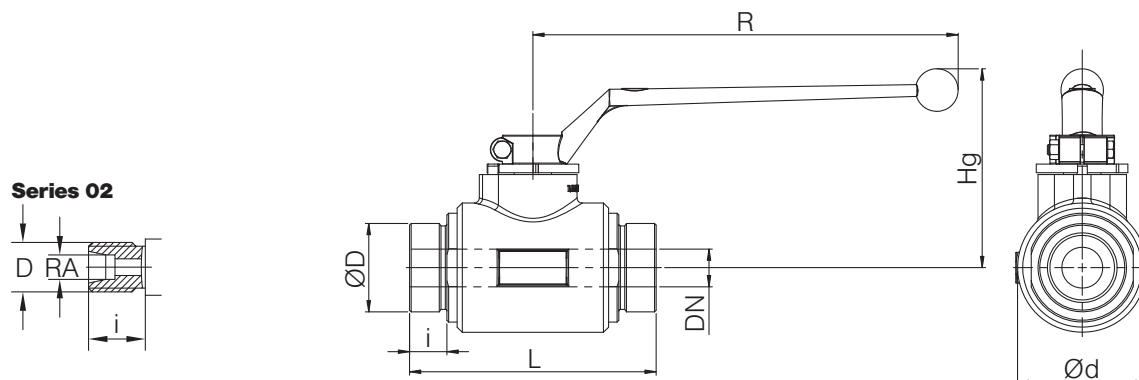
Please ask separately for requirements that exceed the standard conditions of use listed in this data sheet.

As a matter of principle, the safety information provided in the operating and servicing manual must be observed!

The operating and servicing manuals as well as the approval certificates can be downloaded at www.von-scheven.de.

We reserve the right to carry out technical modifications.

Technical data HSKA-D



Series 02 (for non-soldering compression fittings with cutting ring DIN 2353, light-duty series)

| DN mm | RA mm | PN bar | D | i mm | L mm | d mm | Hg mm | R mm | SW1 mm | Weight kg |
|----------|----------|-----------|--------|---------|---------|---------|----------|---------|-----------|--------------|
| 32 | 35 | 320 ** | M 45x2 | 16 | 145 | Ø76 | 117 | 250 | 17 | 3.5 |
| 40 | 42 | 320 ** | M 52x2 | 16 | 150 | Ø90 | 121 | 250 | 17 | 4.1 |

**On request, a light-duty version (pressure rating PN 160) with altered face-to-face length is also available.
Note! The pressure rating of the pipe unions can deviate from the nominal pressure rating of the ball valve.

Series 03 (for non-soldering compression fittings with cutting ring DIN 2353, heavy-duty series)

| DN mm | RA mm | PN bar | D | i mm | L mm | SW mm | Hg mm | R mm | SW1 mm | Weight kg |
|----------|----------|-----------|--------|---------|---------|----------|----------|---------|-----------|--------------|
| 32 | 38 | 320 ** | M 52x2 | 22 | 145 | Ø76 | 117 | 250 | 17 | 3.5 |

**On request, a light-duty version (pressure rating PN 160) with altered face-to-face length is also available.
Note! The pressure rating of the pipe unions can deviate from the nominal pressure rating of the ball valve.

Example of order: Ball valve type HSKA-D made of stainless steel, DN 32 with male thread for non-soldering compression fittings with cutting ring DIN 2353 – light-duty series

HSKA-D 32 02

Parts list HSKA-D

| Pos. | Designation | Material* |
|------|--------------|------------------|
| 10 | Body | Stainless steel |
| 20 | Fitting | Stainless steel |
| 30 | Ball | Stainless steel |
| 40 | Seal | POM |
| 50 | Stop washer | Stainless steel |
| 60 | Stem | Stainless steel |
| 80 | O-ring | NBR |
| 90 | Hand lever | Zinc die-casting |
| 100 | O-ring | NBR |
| 110 | Bolt | |
| 130 | Sliding ring | PTFE |
| 140 | Stop pin | Stainless steel |

*Standard (can vary according to nominal width), other materials on request.
Due to the design, not all items are used for all nominal widths.

