



Flange ball valve KFK-B, ductile cast iron, short face- to-face length With DIN flange

DN 32 - 250 mm PN max. 16 bar

Series 25 – PN 10 according to DIN EN 1092-1
26 – PN 16 according to DIN EN 1092-1

Face-to-face lengths DIN EN 558 FTF basic series 27 (formerly: DIN 3202-1 Series F4)

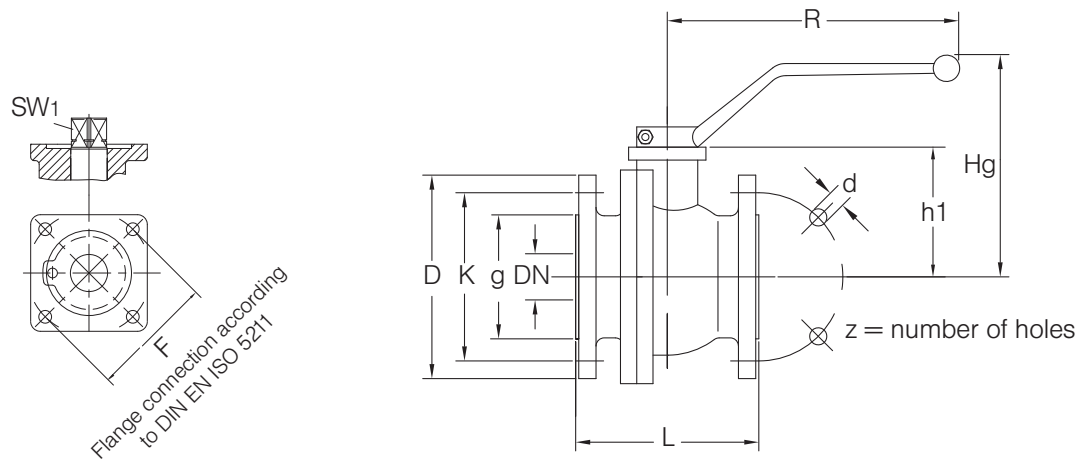
Temperature range Standard: -10°C to +150°C, DVGW -20°C to +60°C
On request: -20°C to +250°C

Range of use Liquids: Liquids group 1 and 2 according to PED 2014/68/EU Article 13
Gases: Liquids group 1 and 2 according to PED 2014/68/EU Article 13
As a matter of principle, the resistance to the flow medium must be ensured.

Approvals Series 26: DVGW for gas
TÜV-Component mark
HTB (DN 32 – 150)
Technical instructions on air quality control (TA Luft)

Technical specification The KFK-B type ball valve consists of a 2-part body. Up to nominal width DN 100, the flange is screwed into the body. From nominal width DN 125, the two body parts are flanged together. The stem is blowout-proof with a two-fold O-ring seal. It is possible to attach the actuators via the standard ISO flanged connection.

Technical data KFK-B



2-way ball valves
with flange connection

Series 25 (PN 10 according to DIN EN 1092-1)

DN mm	PN bar	L mm	D mm	g mm	K mm	z	d mm	Hg mm	R mm	h1 mm	F DIN EN ISO 5211	SW1 mm	Weight kg
32	16	130	140	78	100	4	18	117	250	60	F07	17	5.8
40	16	140	150	88	110	4	18	121	250	64	F07	17	7.0
50	16	150	165	102	125	4	18	128	250	71	F07	17	9.3
65	16	170	185	122	145	4	18	158	250	101	F07	17	14.5
80	16	180	200	138	160	8	18	182	370	131	F10	22	18.5
100	16	190	220	158	180	8	18	194	370	144	F10	22	24.0
125	16	325	250	188	210	8	18	195	520	163	F10	22	47.5
150	16	350	285	212	240	8	22	225	700	194	F12	27	67.0
200	10	400	340	268	295	8	22	260	700	231	F12	27	92.0
250*	10	450	395	320	350	12	22	260	700	231	F12	27	89.0

*Reduced bore, clear span 200.

Series 26 (PN 16 according to DIN EN 1092-1)

DN mm	PN bar	L mm	D mm	g mm	K mm	z	d mm	Hg mm	R mm	h1 mm	F DIN EN ISO 5211	SW1 mm	Weight kg
32	16	130	140	78	100	4	18	117	250	60	F07	17	5.8
40	16	140	150	88	110	4	18	121	250	64	F07	17	7.0
50	16	150	165	102	125	4	18	128	250	71	F07	17	9.3
65	16	170	185	122	145	4	18	158	250	101	F07	17	14.5
80	16	180	200	138	160	8	18	182	370	131	F10	22	18.5
100	16	190	220	158	180	8	18	194	370	144	F10	22	24.0
125	16	325	250	188	210	8	18	195	520	163	F10	22	47.5
150	16	350	285	212	240	8	22	225	700	194	F12	27	67.0
200	16	400	340	268	295	12	22	260	700	231	F12	27	92.0
250*	16	450	405	320	355	12	26	260	700	231	F12	27	89.0

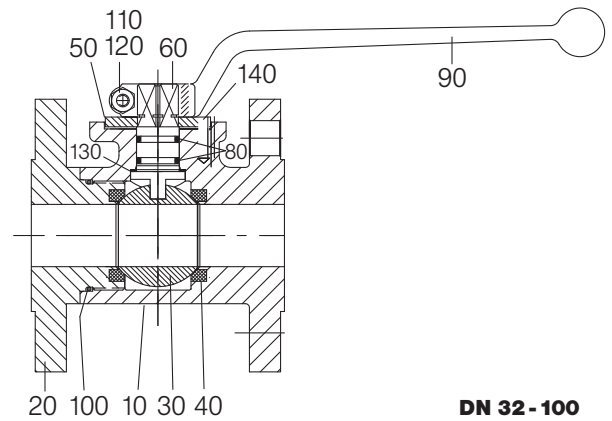
*Reduzierter Durchgang, lichte Weite 200.

Example of order: Ball valve type KFK-B DN 100 with flanged connection
PN 16 according to DIN EN 1092-1 (Series 26)
KFK-B 100 26

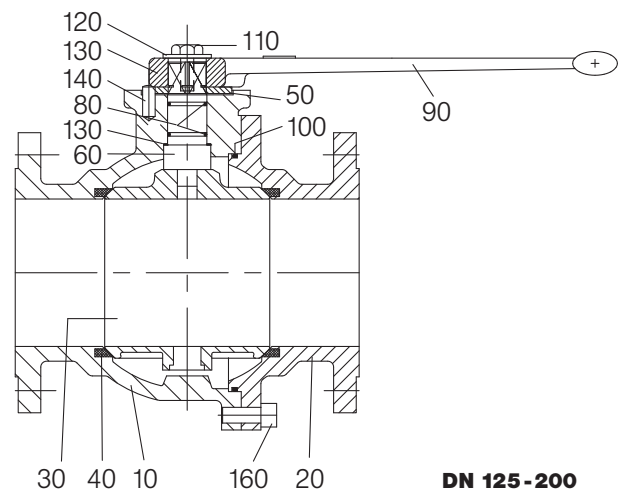
Parts list KFK-B

Pos.	Designation	Material*
10	Body	Casting
20	Flange	Casting
30	Ball	Brass, steel, casting
40	Seal	PTFE
50	Stop washer	Steel
60	Stem	Brass, steel
80	O-ring	FPM
90	Hand lever	Zinc die casting, casting
100	O-ring	FPM
110	Bolt	
120	Nut, washer	
130	O-ring	FPM
	Sliding ring	PTFE
140	Stop pin	
160	Bolt	

*Standard (can vary according to nominal width), other materials on request.
Due to the design, not all items are used for all nominal widths.



DN 32 - 100



DN 125 - 200

Please ask separately, where requirements exceed the standard conditions of use listed in this data sheet.
As a matter of principle, the operating and maintenance instructions, in particular the safety instructions must be observed!
Operating and maintenance instructions as well as the approval certificates can be downloaded at www.von-scheven.de.

We reserve the right to carry out technical modifications.