



Flange ball valve KFL-B, ductile cast iron, long face- to-face length With DIN flange

DN 25 - 200 mm PN max.16 bar

Series 25 – PN 10 according to DIN EN 1092-1
26 – PN 16 according to DIN EN 1092-1

Face-to-face lengths DIN EN 558 FTF basic series 1 (formerly: DIN 3202-1 Series F1)

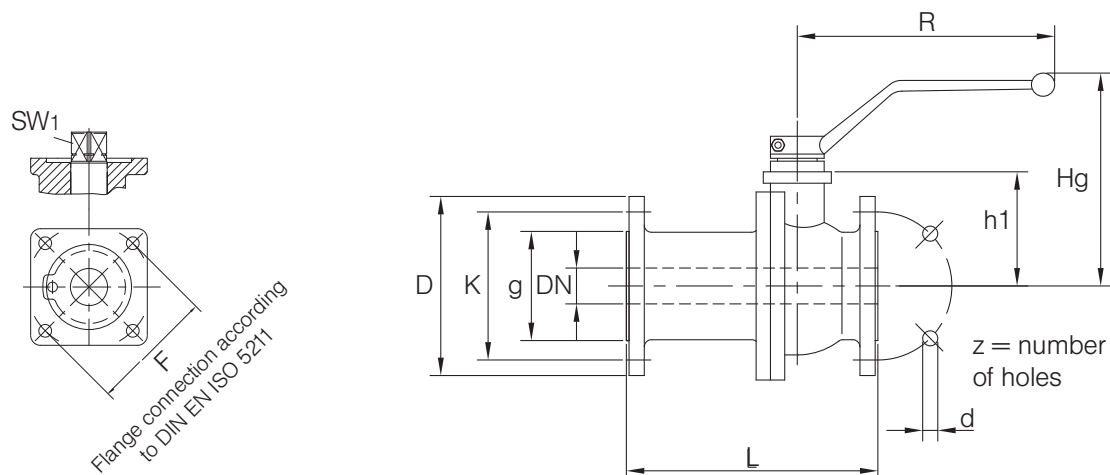
Temperature range Standard: -10°C bis +150°C; DVGW -20°C bis +60°C
On request: -20°C bis +250°C

Range of use Liquids: Liquids group 1 and 2 according to PED 2014/68/EU Article 13
Gases: Liquids group 1 and 2 according to PED 2014/68/EU Article 13
As a matter of principle, the resistance to the flow medium must be ensured.

Approvals Series 26: DVGW for gas PN 16
TÜV-Component mark
HTB (DN 32 – 150)
Technical instructions on air quality control (TA Luft)

Technical specification The KFL-B type ball valve consists of a 2-part body. Up to nominal width DN 100, the flange is screwed into the body. From nominal width DN 125, the two body parts are flanged together. The stem is blowout-proof and, from nominal width DN 32 is provided with a two-fold O-ring seal. It is possible to attach the actuators from DN 32 via the standard ISO flanged connection.

Technical data KFL-B



Series 25 (PN 10 according to DIN EN 1092-1)

DN	PN	L	D	g	K	z	d	Hg	R	h1	ISO Output flange	SW1	Weight
mm	bar	mm	mm	mm	mm		mm	mm	mm	mm		mm	kg
25	16	160	115	68	85	4	14	82	160	–	–	10	4.5
32	16	180	140	78	100	4	18	117	250	60	F07	17	6.7
40	16	200	150	88	110	4	18	121	250	64	F07	17	8.0
50	16	230	165	102	125	4	18	128	250	71	F07	17	10.0
65	16	290	185	122	145	4	18	158	250	101	F07	17	20.5
80	16	310	200	138	160	8	18	182	370	131	F10	22	29.5
100	16	350	220	158	180	8	18	194	370	144	F10	22	36.0
125	16	400	250	188	210	8	18	195	520	163	F10	22	50.0
150	16	480	285	212	240	8	22	225	700	194	F12	27	72.0
200	10	600	340	268	295	8	22	260	700	231	F12	27	108.0

Series 26 (PN 16 according to DIN EN 1092-1)

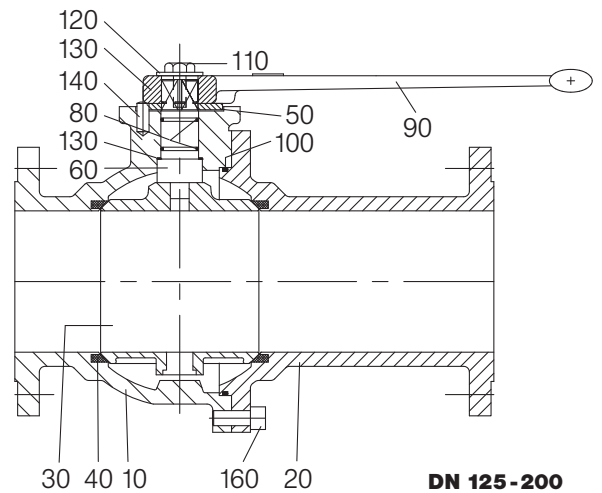
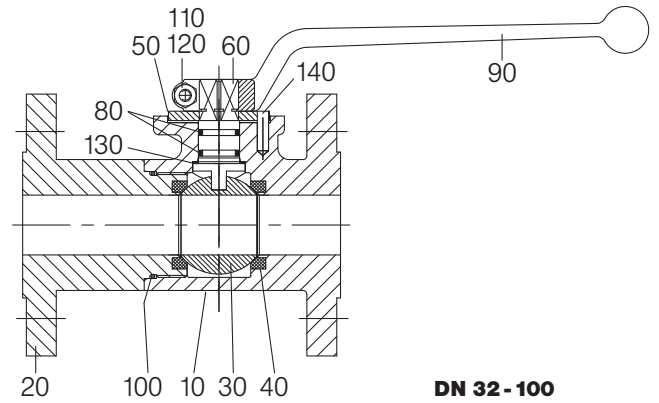
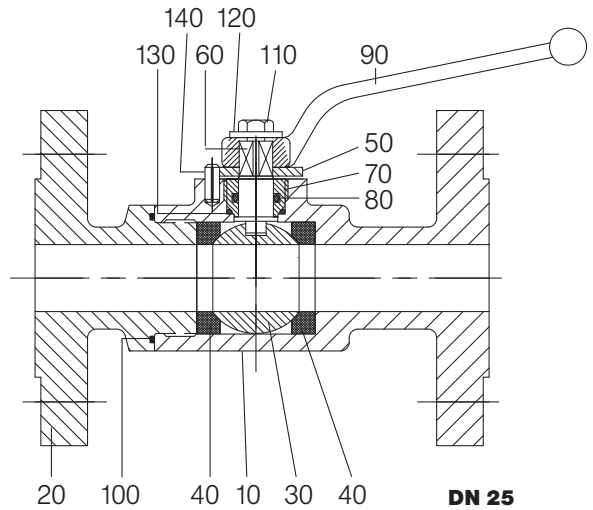
DN	PN	L	D	g	K	z	d	Hg	R	h1	ISO Output flange	SW1	Weight
mm	bar	mm	mm	mm	mm		mm	mm	mm	mm		mm	kg
25	16	160	115	68	85	4	14	82	160	–	–	10	4.5
32	16	180	140	78	100	4	18	117	250	60	F07	17	6.7
40	16	200	150	88	110	4	18	121	250	64	F07	17	8.0
50	16	230	165	102	125	4	18	128	250	71	F07	17	10.0
65	16	290	185	122	145	4	18	158	250	101	F07	17	20.5
80	16	310	200	138	160	8	18	182	370	131	F10	22	29.5
100	16	350	220	158	180	8	18	194	370	144	F10	22	36.0
125	16	400	250	188	210	8	18	195	520	163	F10	22	50.0
150	16	480	285	212	240	8	22	225	700	194	F12	27	72.0
200	16	600	340	268	295	12	22	260	700	231	F12	27	108.0

Example of order: Ball valve type KFL-B DN 100 with flanged connection
 PN 16 according to DIN EN 1092-1 Series 26
KFL-B 100 26

Parts list KFL - B

Pos.	Designation	Material*
10	Body	Casting
20	Flange	Casting
30	Ball	Brass, steel, casting
40	Seal	PTFE
50	Stop washer	Steel
60	Stem	Brass, steel
70	Fitting	Brass
80	O-ring	FPM
90	Hand lever	Zinc die casting, casting
100	O-ring	FPM
110	Bolt	
120	Nut	
	Washer	
130	O-ring	FPM
	Sliding ring	PTFE
140	Stop pin	
160	Bolt	

*Standard (can vary according to nominal width), other materials on request.
Due to the design, not all items are used for all nominal widths.



Please ask separately, where requirements exceed the standard conditions of use listed in this data sheet.
As a matter of principle, the operating and maintenance instructions, in particular the safety instructions must be observed!
Operating and maintenance instructions as well as the approval certificates can be downloaded at www.von-scheven.de.

We reserve the right to carry out technical modifications.