



Flange ball valve KFL-C, steel, long face-to-face length With DIN flange

DN 10 - 250 mm PN max. 320 bar

Series 25 – PN 10 according to DIN EN 1092-1
26 – PN 16 according to DIN EN 1092-1
27 – PN 25 according to DIN EN 1092-1
28 – PN 40 according to DIN EN 1092-1
29 – PN 63 according to DIN EN 1092-1
34 – PN 100 according to DIN EN 1092-1
35 – PN 160 according to DIN EN 1092-1
36 – PN 250 according to DIN EN 1092-1
37 – PN 320 according to DIN EN 1092-1

Face-to-face lengths DIN EN 558 FTF basic series 1 (formerly: DIN 3202-1 Series F1)

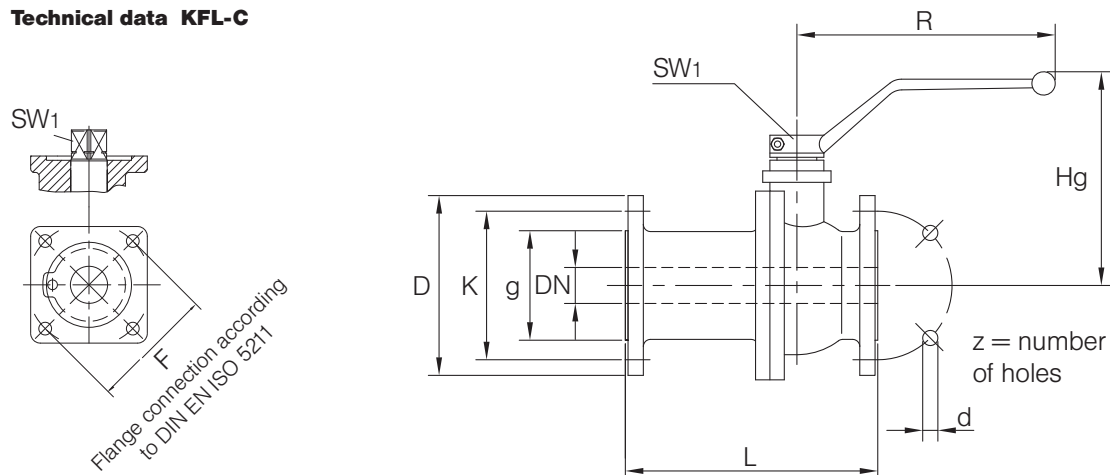
Temperature range Standard: -10°C to +90°C; DVGW -20°C to +60°C
On request: -50°C to +250°C

Range of use Liquids: Liquids group 1 and 2 according to PED 2014/68/EU Article 13
Gases: Liquids group 1 and 2 according to PED 2014/68/EU Article 13
As a matter of principle, the resistance to the flow medium must be ensured.

Approvals Series 26: DVGW for gas PN 16
Series 28: DVGW for gas PN 40
TÜV-Component mark
Technical instructions on air quality control (TA Luft)

Technical specification The KFL-C type ball valve consists of a 3-part, from DN 100 of a 2-part body. Up to nominal width DN 80, the flange is screwed into the body. From nominal width DN 100, the two body parts are flanged together. The stem is blowout-proof and, from nominal width DN 32 is provided with a two-fold O-ring seal.

Technical data KFL-C



Flanged ball valves with nominal widths DN 15 to DN 50 of series 28 (PN 40) are supplied, as agreed, with swivelling flanges.

Series 25 (PN 10 according to DIN EN 1092-1)

DN mm	PN bar	L mm	D mm	g mm	K mm	z	d mm	Hg mm	R mm	F DIN EN ISO 5211	SW1 mm	Weight kg
10	40	130	90	40	60	4	14	67	130		10	1.9
15	40	130	95	45	65	4	14	69	130		10	2.4
20	40	150	105	58	75	4	14	71	130		10	3.3
25	40	160	115	68	85	4	14	82	160		10	4.4
32	40	180	140	78	100	4	18	117	250		17	8.0
40	40	200	150	88	110	4	18	121	250		17	9.0
50	40	230	165	102	125	4	18	128	250	F07	17	13.0
65	16	290	185	122	145	4	18	158	250		17	20.5
80	40	310	200	138	160	8	18	182	370	F10	22	29.5
100	16	350	220	158	180	8	18	194	370	F10	22	36.0
125	16	400	250	188	210	8	18	195	520	F10	22	50.0
150	16	480	285	212	240	8	22	225	700	F12	27	72.0
200	10	600	340	268	295	8	22	260	700	27	F12	108.0
250*	10	730	395	320	350	12	22	260	700	27	F12	135.0

*Reduced bore, clear span 200.

Series 26 (PN 16 according to DIN EN 1092-1)

DN mm	PN bar	L mm	D mm	g mm	K mm	z	d mm	Hg mm	R mm	F DIN EN ISO 5211	SW1 mm	Weight kg
10	40	130	90	40	60	4	14	67	130		10	1.9
15	40	130	95	45	65	4	14	69	130		10	2.4
20	40	150	105	58	75	4	14	71	130		10	3.3
25	40	160	115	68	85	4	14	82	160		10	4.4
32	40	180	140	78	100	4	18	117	250		17	8.0
40	40	200	150	88	110	4	18	121	250		17	9.0
50	40	230	165	102	125	4	18	128	250	F07	17	13.0
65	16	290	185	122	145	4	18	158	250		17	20.5
80	40	310	200	138	160	8	18	182	370	F10	22	29.5
100	16	350	220	158	180	8	18	194	370	F10	22	36.0
125	16	400	250	188	210	8	18	195	520	F10	22	50.0
150	16	480	285	212	240	8	22	225	700	F12	27	72.0
200	16	600	340	268	295	12	22	260	700	F12	27	108.0
250*	16	730	405	320	355	12	22	260	700	F12	27	135.0

*Reduced bore, clear span 200.

Series 27 (PN 25 according to DIN EN 1092-1)

DN mm	PN bar	L mm	D mm	g mm	K mm	z	d mm	Hg mm	R mm	F DIN EN ISO 5211	SW1 mm	Weight kg
10	40	130	90	40	60	4	14	67	130		10	1.9
15	40	130	95	45	65	4	14	69	130		10	2.4
20	40	150	105	58	75	4	14	71	130		10	3.3
25	40	160	115	68	85	4	14	82	160		10	4.4
32	40	180	140	78	100	4	18	117	250		17	8.0
40	40	200	150	88	110	4	18	121	250		17	9.0
50	40	230	165	102	125	4	18	128	250	F07	17	13.0
65	40	290	185	122	145	8	18	158	250		17	20.5
80	40	310	200	138	160	8	18	182	370	F10	22	29.5
100	40	350	235	162	190	8	22	194	370	F10	22	36.0
125	40	400	270	188	220	8	26	195	520	F10	22	50.0
150	40	480	300	218	250	8	26	225	700	F12	27	72.0
200	25	600	360	278	310	12	26	260	700	F12	27	108.0
250*	25	730	425	335	370	12	30	260	700	F12	27	135.0

*Reduced bore, clear span 200.

Series 28 (PN 40 according to DIN EN 1092-1)

DN mm	PN bar	L mm	D mm	g mm	K mm	z	d mm	Hg mm	R mm	F DIN EN ISO 5211	SW1 mm	Weight kg
10	40	130	90	40	60	4	14	67	130		10	1.9
15	40	130	95	45	65	4	14	69	130		10	2.4
20	40	150	105	58	75	4	14	71	130		10	3.3
25	40	160	115	68	85	4	14	82	160		10	4.4
32	40	180	140	78	100	4	18	117	250		17	8.0
40	40	200	150	88	110	4	18	121	250		17	9.0
50	40	230	165	102	125	4	18	128	250	F07	17	13.0
65	40	290	185	122	145	8	18	158	250		17	20.5
80	40	310	200	138	160	8	18	182	370	F10	22	29.5
100	40	350	235	162	190	8	22	194	370	F10	22	36.0
125	40	400	270	188	220	8	26	195	520	F10	22	50.0
150	40	480	300	218	250	8	26	225	700	F12	27	72.0
200	40	600	375	285	320	12	30	260	700	F12	27	108.0
250*	40	730	450	345	385	12	30	260	700	F12	27	135.0

*Reduced bore, clear span 200.

Series 29 (PN 63 according to DIN EN 1092-1)

DN mm	PN bar	L mm	D mm	g mm	K mm	z	d mm	Hg mm	R mm	F DIN EN ISO 5211	SW1 mm	Weight kg
10	160	130	100	40	70	4	14	67	130		10	2.3
15	160	130	105	45	75	4	14	69	130		10	2.7
20	160	150	130	58	90	4	18	71	130		10	3.5
25	160	160	140	68	100	4	18	82	160		10	4.6
32	160	180	155	78	110	4	22	117	250		17	8.6
40	160	200	170	88	125	4	22	121	250		17	10.0
50	63	230	180	102	135	4	22	128	250	F07	17	15.0
65	63	290	220	122	160	8	22	158	250		17	23.0
80	63	310	230	138	170	8	22	182	350	F10	22	33.5
100	63	350	265	162	200	8	26	194	350	F10	22	40.0

Series 34 (PN 100 according to DIN EN 1092-1)

Series 35 (PN 160 according to DIN EN 1092-1)

DN mm	PN bar	L mm	D mm	g mm	K mm	z	d mm	Hg mm	R mm	F DIN EN ISO 5211	SW1 mm	Weight kg
10	160	130	100	40	70	4	14	67	130		10	2.3
15	160	130	105	45	75	4	14	69	130		10	2.7
20	160	150	130	58	90	4	18	71	130		10	3.5
25	160	160	140	68	100	4	18	82	160		10	4.6
32	160	180	155	78	110	4	22	117	250		17	8.6
40	160	200	170	88	125	4	22	121	250		17	10.0
50	160	230	195	102	145	4	26	128	250	F07	17	18.0
65	160	290	220	122	170	8	26	158	250		17	19.0
80	160	310	230	138	180	8	26	182	350	F10	22	29.0

Series 36 (PN 250 according to DIN EN 1092-1)

DN mm	PN bar	L mm	D mm	g mm	K mm	z	d mm	Hg mm	R mm	F DIN EN ISO 5211	SW1 mm	Weight kg
10	250	130	125	40	85	4	18	67	130		10	2.6
15	250	130	130	45	90	4	18	69	130		10	2.7
20	250	150	135	55	195	4	18	71	130		10	3.5
25	250	160	150	68	105	4	22	105	160		10	4.6
40	250	200	185	88	135	4	26	121	250		17	18.0
50	250	230	200	102	150	8	26	128	250	F07	17	21.0

Series 37 (PN 320 according to DIN EN 1092-1)

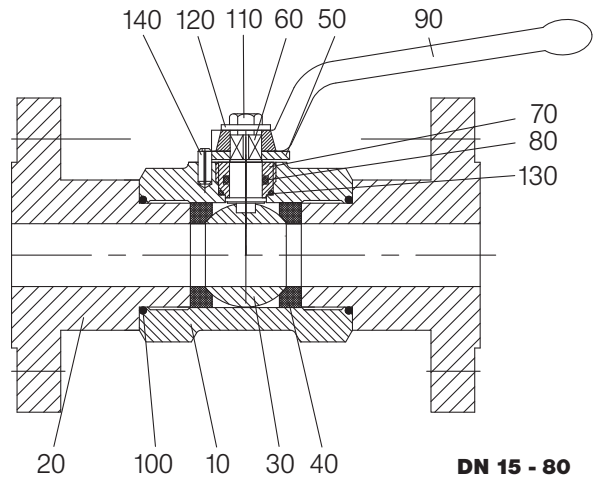
DN mm	PN bar	L mm	D mm	g mm	K mm	z	d mm	Hg mm	R mm	F DIN EN ISO 5211	SW1 mm	Weight kg
10	320	130	125	40	85	4	18	67	130		10	2.6
15	320	130	130	45	90	4	18	69	130		10	2.7
20	320	150	150	55	105	4	22	71	130		10	3.5
25	320	160	160	68	115	4	22	82	160		10	4.6
40	320	200	195	88	145	4	26	121	250		17	21.5
50	320	230	210	102	160	8	26	128	250	F07	17	25.0

Example of order: Ball valve type KFL-C DN 100 with flange PN 16 according to DIN EN 1092-1
KFL-C 100 26

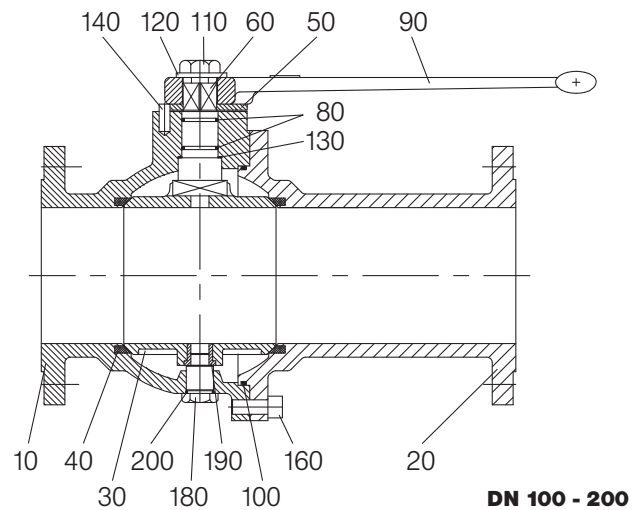
Parts list KFL-C

Pos.	Designation	Material*
10	Body	Forged steel, steel casting
20	Flange	Steel, steel casting
30	Ball	Brass, steel, casting
40	Seal	PTFE, OM
50	Stop washer	Steel
60	Stem	Brass, steel
70	Fitting	Brass
80	O-ring	NBR, FPM
90	Hand lever	Zinc die-casting, steel, casting
100	O-ring	NBR, FPM
110	Bolt	
120	Nut	
	Washer	
130	O-ring	FPM
	Sliding ring	PTFE
140	Stop pin	
160	Bolt	
180	Pin	Steel
190	Bearing shell	
200	O-ring	NBR, FPM

*Standard (can vary according to nominal width), other materials on request.
Due to the design, not all items are used for all nominal widths.



DN 15 - 80



DN 100 - 200

2-way ball valves
with flange connection

Please ask separately, where requirements exceed the standard conditions of use listed in this data sheet.
As a matter of principle, the operating and maintenance instructions, in particular the safety instructions must be observed!
Operating and maintenance instructions as well as the approval certificates can be downloaded at www.von-scheven.de.

We reserve the right to carry out technical modifications.