



Low-pressure block ball valve NBI-C, steel With female thread

DN 4-25 mm PN max. 100 bar

Series 06 – female thread on both sides DIN EN ISO 228-1
42 – NPT female thread ANSI/ASME B1.20.1

Face-to-face lengths DIN 3202 – 4 series M3

Temperature range Standard: -10°C to +150°C; DVGW -20°C to +60°C
On request: -50°C to +250°C

Range of use Liquids: Liquids group 1 and 2 according to PED 2014/68/EU Article 13
Gases: Liquids group 1 and 2 according to PED 2014/68/EU Article 13
As a matter of principle, the resistance to the flow medium must be ensured.

Approvals Series 06: DVGW for gas PN 16

Technical specification The NBI-C type ball valve consists of a block body with connector screwed in on both sides. The stem is fitted blowout-proof from the outside. Simple replacement of the stem seal is ensured by the fitting used. Actuators can be attached by means of an extension kit. This retrofit requirement must be specified when placing the order (additional charge).

Please ask separately for requirements that exceed the standard conditions of use listed in this data sheet.

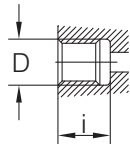
As a matter of principle, the safety information provided in the operating and servicing manual must be observed!

The operating and servicing manuals as well as the approval certificates can be downloaded at www.von-scheven.de.

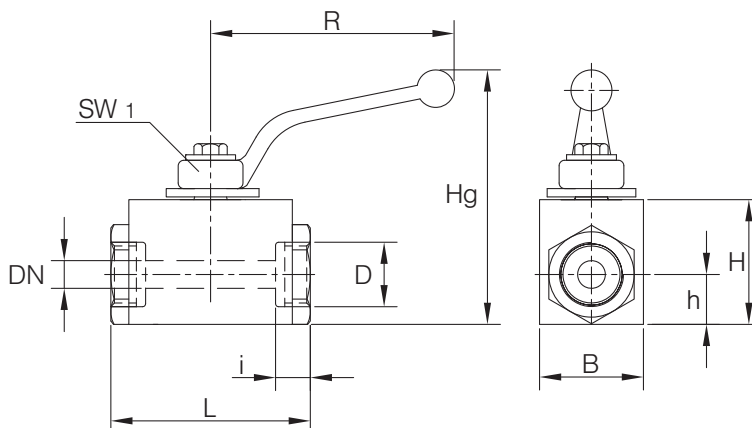
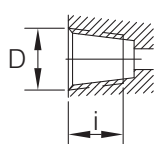
We reserve the right to carry out technical modifications.

Technical data NBI-C

Series 06



Series 42



Series 06 (female thread on both sides DIN EN ISO 228 - 1)

DN mm	PN bar	D	i mm	L mm	B mm	H mm	h mm	Hg mm	R mm	SW1 mm	Weight kg
4	100	G1/8"	11.0	50	25	30	12.5	61	76	7	0.3
6	100	G1/4"	12.5	50	25	30	12.5	61	76	7	0.3
10	100	G3/8"	12.5	60	30	40	15.0	92	112	10	0.5
15	100	G1/2"	16.0	75	35	45	18.0	85	130	10	1.0
20	63	G3/4"	18.0	80	45	55	25.0	95	130	10	1.2
25	63	G1"	20.0	90	55	65	30.0	111	160	10	2.1

*DVGW: G+Rp

Series 42 (NPT female thread ANSI/ASME B1.20.1)

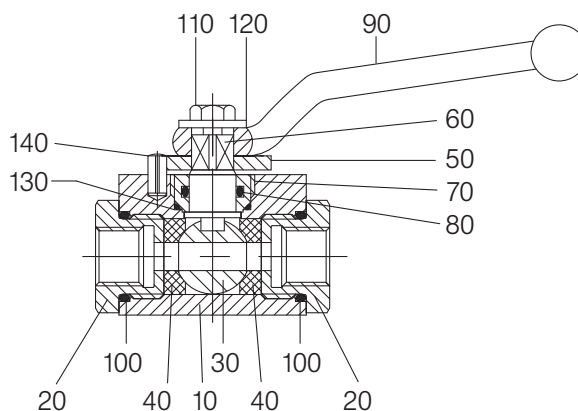
DN mm	PN bar	D	i mm	L mm	B mm	H mm	h mm	Hg mm	R mm	SW1 mm	Weight kg
4	100	NPT 1/8"	11.0	50	25	30	12.5	61	76	7	0.3
6	100	NPT 1/4"	12.5	50	25	30	12.5	61	76	7	0.3
10	100	NPT 3/8"	12.5	60	30	40	15.0	92	112	10	0.5
15	100	NPT 1/2"	15.0	75	35	45	18.0	85	130	10	1.0
20	63	NPT 3/4"	18.0	80	45	55	25.0	95	130	10	1.2
25	63	NPT 1"	20.0	90	55	65	30.0	111	160	10	2.1

Example of order: Ball valve type NBI-C DN 15 made of steel with female thread DIN EN ISO 228 – 1 (Series 06)

NBI-C 15 06

Parts list NBI-C

Pos.	Designation	Material*
10	Body	Steel
20	Fitting	Steel
30	Ball	Brass
40	Seal	PTFE
50	Stop washer	Steel
60	Stem	Brass
70	Fitting	Brass
80	O-ring	NBR, FPM
90	Hand lever	Zinc die-casting
100	O-ring	NBR, FPM
110	Bolt	
120	Washer	
130	O-ring	NBR, FPM
140	Stop pin	



*Standard (can vary according to nominal width), other materials on request.
Due to the design, not all items are used for all nominal widths.