



COMPACT DIAPHRAGM SENSED *Back Pressure Regulators*

2100 SERIES

PREMIER INDUSTRIES

1590 99th Ln NE,
Minneapolis, MN 55449
763-786-4020



MADE IN THE USA

Minneapolis, MN

DESCRIPTION

Premier 2100 series back pressure regulators are precision, highly repeatable, diaphragm sensed regulators useful for numerous industrial and R&D controls, monitors, and systems. Premier 2100 Series regulators have a max relief pressure of 500 PSIG (34.5 bar), flow capacity (Cv) of 0.14 or 0.2, and are fitted with stainless steel, Viton® or BUNA-N diaphragms. These regulators are available in a variety of materials for the regulation of a broad range of media.

FEATURES

- Max relief pressure: 500 PSIG (34.5 bar)
- Stainless steel, Viton®, or BUNA-N diaphragm
- Flow capacity (Cv): 0.14 or 0.2
- Optional metal to metal seal ensures gas purity and integrity
- Very competitive pricing
- Machined bar stock body, and bonnet eliminates porosity found in castings
- Models are available for both corrosive and non-corrosive service
- Numerous optional features available

*The Premier 2100 Series pressure reducing regulator's design is remarkably flexible.
Contact Premier Industries for a custom 2100 Series regulator to meet your exact needs.*

2100 SERIES

COMPACT DIAPHRAGM SENSED *Back Pressure Regulators*



SPECIFICATIONS

- **MAXIMUM OUTLET PRESSURE:** 500 PSIG (34.5 bar)
- **FLOW (Cv):** 0.14 or 0.2

MATERIALS OF CONSTRUCTION

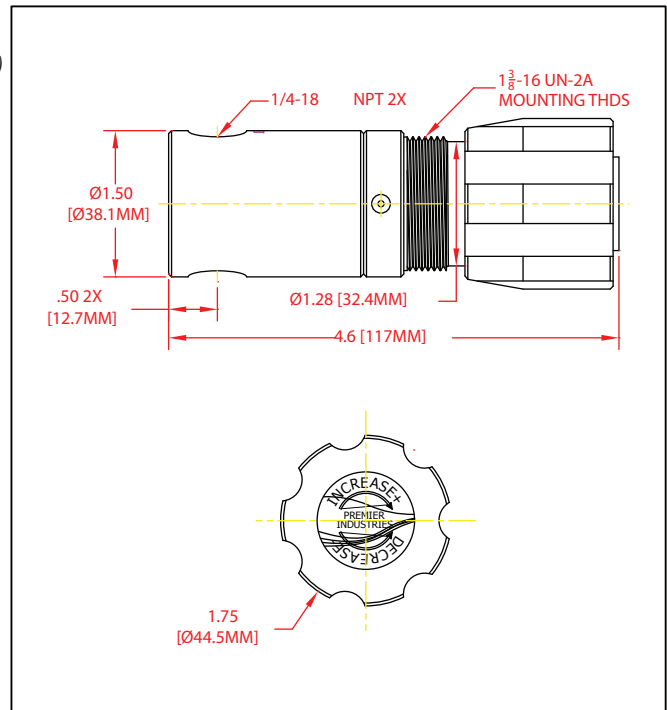
- **BODY OPTIONS:**
 - 316 Stainless Steel
 - 303 Stainless Steel
 - SAE 360 Brass, Electroless Nickel Plated
 - SAE 360 Brass, Bright Dip
 - 6061-T6 Aluminum, Electroless Nickel Plated
- **BONNET OPTIONS:**
 - 303 Stainless Steel
 - 6061-T6 Aluminum, Electroless Nickel Plated
 - SAE 360 Brass
- **DIAPHRAGM OPTIONS:**
 - 316 Stainless Steel
 - Viton®
 - Buna-N
- **DIAPHRAGM SEAL OPTIONS:**
 - Teflon®
- **O-RINGS:**
 - Viton®
 - BUNA-N
 - EPDM

PORTING

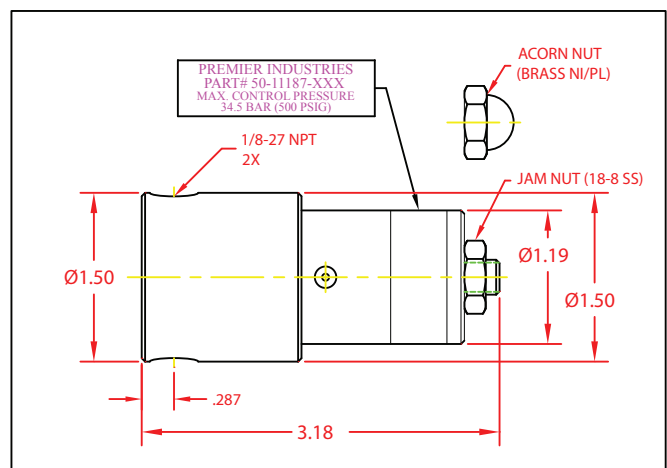
- **STANDARD INLET:**
 - 1/8-27 NPT
- **OPTIONAL INLETS:**
 - 1/4" FNPT
- **STANDARD OUTLET:**
 - 1/8-27 NPT
- **OPTIONAL OUTLETS:**
 - 1/4" FNPT

OPTIONS

- Gauges
- Tamper resistant acorn nut
- Hand Knob
- Panel Mount Bonnet & Nuts
- Private Label



(part number shown above: 50-11998)



(part number shown above: 50-11187)

PREMIER INDUSTRIES

1590 99th Ln NE,
Minneapolis, MN 55449
763-786-4020



COMPACT DIAPHRAGM SENSED *Back Pressure Regulators*



PART #	1	2	3	-	4 5	-	6 7	-	8
50-11998				-		-		-	

1	BODY/BONNET MATERIALS <i>(MAX. INLET PRESSURE)</i>
B	SAE 360 Brass <i>(body)</i> 2024 Aluminum <i>(bonnet)</i>
0	316 Stainless Steel <i>(body)</i> 303 Stainless Steel <i>(bonnet)</i>
1	303 Stainless Steel <i>(body & bonnet)</i>
2	MAX CONTROL PRESSURE
B	25 PSIG / 1.72 bar
A	50 psig / 3.45 bar
1	100 PSIG / 6.89 bar
2	250 PSIG / 17.24 bar
3	300 PSIG / 20.68 bar
5	500 PSIG / 34.47 bar
3	FLOW <i>(Cv)</i>
1	Cv 0.14
2	Cv 0.2

4 5	O-RING SEALS
00	BUNA-N
02	VITON®
05	EPDM
6 7	INLET GAUGE PORT <i>(optional)</i>
PN	Port only, no gauge
PO	Port with 60 PSI gauge
P1	Port with 100 PSI gauge
P2	Port with 200 PSI gauge
P6	Port with 600 PSI gauge

8	PANEL MOUNTING NUT <i>(optional)</i>
Blank	None
N	Nut