



**DOME LOADED  
BIAS SPRING  
DIAPHRAGM SENSED**  
*Back Pressure Regulators*



**PREMIER INDUSTRIES**

1590 99th Ln NE,  
Minneapolis, MN 55449  
763-786-4020



**MADE IN THE USA**

Minneapolis, MN

**DESCRIPTION**

Premier 2100DLB Series dome loaded/bias spring, single stage, diaphragm sensed, back pressure regulators, are designed for load pressures up to 500 PSIG (34.47 bar) with a bias spring up to 100 psig (6.89 bar) and Cv 0.14 or 0.20. 2100DLB Series regulators are elastomer free and designed for use in tracking applications.

**FEATURES**

- Compatible with electro pneumatic controllers
- Elastomer free
- Designed for tracking applications
- Cv 0.14 or 0.20

*The Premier 2100DLB Series pressure reducing regulator's design is remarkably flexible.  
Contact Premier Industries for a custom 2100DLB Series regulator to meet your exact needs.*

# 2100DLB SERIES

## DOME LOADED BIAS SPRING DIAPHRAGM SENSED *Back Pressure Regulators*



### SPECIFICATIONS

- **MAXIMUM LOAD PRESSURE:** 500 PSIG (34.47 bar)
- **PRESET SPRING BIAS:** up to 100 PSIG (6.89 bar)
- **FLOW (Cv):** 0.14, or 0.20

### MATERIALS OF CONSTRUCTION

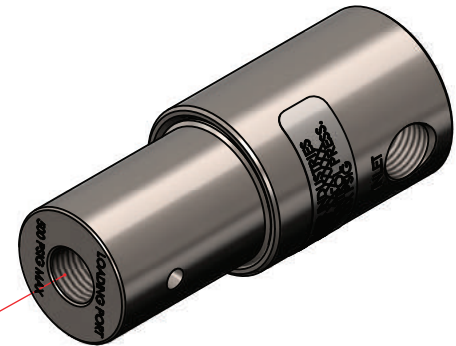
- **BODY:**
  - 316 Stainless Steel
- **DIAPHRAGM:**
  - 316 Stainless Steel
- **VALVE SEAT:**
  - PCTFE
- **SEALS:**
  - PTFE
- **OTHER WETTED MATERIALS:**
  - 316 Stainless Steel

### PORTING

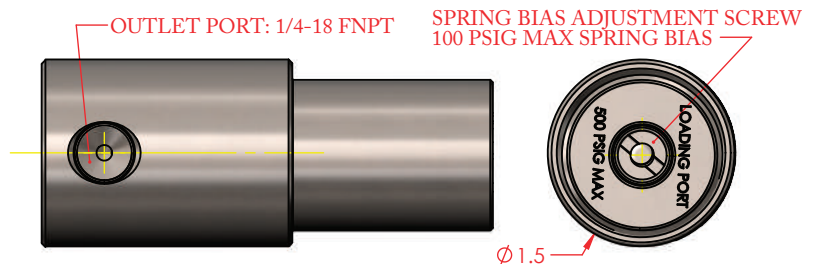
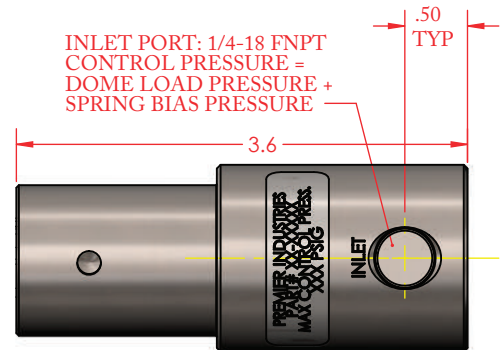
- **INLET:**
  - 1/4" FNPT
- **OUTLET:**
  - 1/4" FNPT
- **LOAD PORT:**
  - 1/4" FNPT

### OPTIONS

- Private label
- Gauges



DOME LOADING PORT:  
1/4-18 FNPT, 500 PSIG MAX



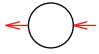
(Part number 50-12474 shown above)



**DOME LOADED  
BIAS SPRING  
DIAPHRAGM SENSED**  
*Back Pressure Regulators*



PART #	-	1	2	3	-	XXX
50-12474	-				-	

1	WETTED MATERIALS
1	316 Stainless Steel
2	PORTING OPTIONS
1	'S' Porting, no gauges 
3	MAIN VALVE Cv
1	Cv 0.14
2	Cv 0.20

XXX	PRESET SPRING BIAS
	<p>**Preset spring bias pressure at 3000 psig inlet pressure. Specify 0-100. Pressure units are psig. (EX: specify '30' for 30 psig spring bias pressure.) Preset spring bias pressure is field adjustable by qualified technicians only.</p>