

2300N SERIES

Compact, Light Weight, Diaphragm Sensed
Pressure Reducing Regulators



Premier 2300N Series regulators are compact, single staged, diaphragm sensed, general purpose regulators. 2300N Series regulators feature a neoprene or Viton® diaphragm and are designed for inlet pressures up to 500 PSIG (34.5 bar). They can be constructed with an integral shut off valve, and are available in a wide range of materials for the regulation of a broad range of media (*as compatible with the configured materials of construction*). Typical media may include: propane, butane, MAPP gas, calibration gases, and refrigerants among others. These compact, general purpose, cylinder regulators offer reliable performance in a compact, lightweight, and economical design.

FEATURES

- Compact size
- Light weight (approx. 5 oz)
- Neoprene or Viton® diaphragm
- Optional integrated shut off/metering valve
- Economical pricing
- Cv: 0.04 (300 PSIG / 20.7 bar inlet)
- Machined bar stock body, and bonnet eliminates porosity found in castings
- Variety of porting options

SOME APPLICATIONS WILL REQUIRE A CUSTOM SOLUTION.
CONTACT PREMIER INDUSTRIES TO REQUEST A MODIFICATION
OR A CUSTOM DESIGN.

2300N SERIES

Compact, Light Weight, Diaphragm Sensed
Pressure Reducing Regulators

SPECIFICATIONS

- **MAX INLET PRESSURE:**
 - 500 PSIG (34.5 bar)
(dependent upon configuration)
- **OUTLET PRESSURE RANGES:**
 - 0 - 15 PSIG (0-1.03 bar)
 - 0 - 30 PSIG (0-2.07 bar)
 - 0 - 60 PSIG (0-4.14 bar)
- **FLOW (Cv):** .04 (300 PSIG / 20.7 bar inlet)
- **LEAK RATE:** Bubble Tight
- **OPERATING TEMPERATURE:**
 - -40° F to 165° F
- **WEIGHT:** Approx. 5 oz.

MATERIALS OF CONSTRUCTION

- **BODY OPTIONS:**
 - 6061-T6 Aluminum, Clear Anodized
 - SAE 360 Brass
- **BONNET OPTIONS:**
 - 6061-T6 Aluminum, Clear Anodized
 - SAE 360 Brass
 - Brass, Electroless Nickel Plated
- **DIAPHRAGM:** Neoprene, (Viton® optional)
- **VALVE SEAT:** Neoprene
- **SEALS:**
 - PTFE

PORTING

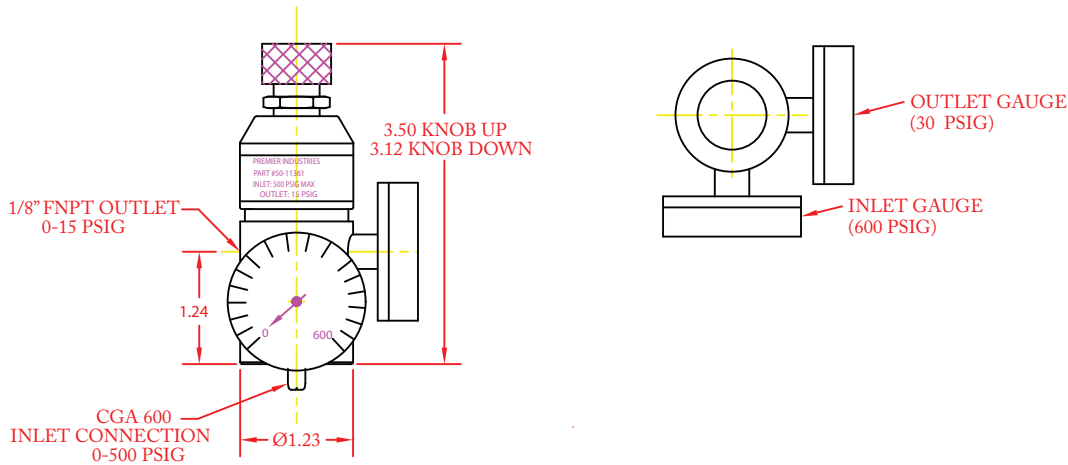
- **INLET PORTING:**
 - 1/8 FNPT
 - 1/4 FNPT
 - CGA600 (bottom port only)
 - All CGA Connections Available:
 - CGA 165, 180, 320, 510, 580, 600, etc.
- **OUTLET PORTING:**
 - 1/8 FNPT

OPTIONS

- Gauges (1/8 FNPT Porting): inlet, outlet, or both
- Inlet shut off/metering valve
- Relief valve
- Seat and sealing materials
- Anodized colors for aluminum bodies and bonnets
- Private label

*Viton® is a registered trademark of E.I. duPont de Nemours and Company
Contact factory for material certifications. Fees may apply.*

PART NUMBER 50-11361



PART NUMBER 50-12010 | *with tamper resistant acorn nut*

