



## SINGLE STAGE VACUUM ACTUATED *Demand Flow Regulators*

# 4902 SERIES

### PREMIER INDUSTRIES

1590 99th Ln NE,  
Minneapolis, MN 55449  
763-786-4020



**MADE IN THE USA**

*Minneapolis, MN*

### DESCRIPTION

Premier's patented, efficient, and easy to use 4902 Series demand flow regulators (also referred to as "sample regulators" and "vacuum actuated regulators") supply gas as demanded by an analyzer and automatically shut off. The highly sensitive, patented, single stage design allows for reduced testing time, permitting the flow of gas at less than one inch water column. Furthermore, the high flow capacity of the Premier 4902 Series demand flow regulator enables multiple analyzers to be tested on a single docking station.

Premier 4902 Series regulators offer great flexibility, available in 6061-T6 aluminum, nickel plated brass, and stainless steel, with a variety of: porting options, wetted materials, o-ring seals, elastomers, gauges, and other additional options.

Premier demand flow regulators make calibration quick and easy by eliminating the need for sample bags, flow meters, or special operator training; they also save on expensive calibration gases by only transferring as much gas as demanded by the instrument. Commonly used with: gas analyzers, portable gas detectors, calibration gases, instruments that use pump drawn calibration gases.

*The Premier 4902 Series pressure reducing regulator's design is remarkably flexible.  
Contact Premier Industries for a custom Premier 4902 Series regulator to meet your exact needs.*

### FEATURES

- Compact size (3" diameter x 2.0" high)
- The unique high flow capability of the Premier 4902 Series design allows multiple analyzers on a single docking station.
- Patented single stage design (*patent no.: 8,550,113 B1*)
- Reduced particle contamination with 40 Micron stainless steel inlet filter
- Integral Relief Valve
- Versions available with integral C10 connections
- Versions available with stainless steel bodies and wetted components.
- Very competitive pricing
- Models are available for both corrosive and non-corrosive service
- Machined bar stock bodies eliminate porosity found in castings

# 4902 SERIES

## SINGLE STAGE VACUUM ACTUATED *Demand Flow Regulators*



### SPECIFICATIONS

- **Flow:** 3.0 LPM @ 3" H<sub>2</sub>O,
  - up to 8LPM with increased vacuum
- **Maximum inlet pressure :** 3000 PSIG (206.84 bar)  
*(with appropriate inlet connection)*

### MATERIALS OF CONSTRUCTION

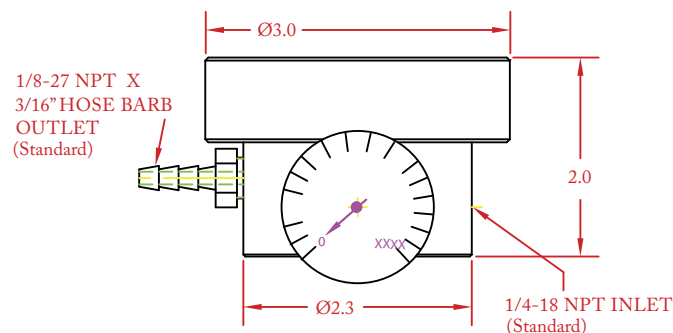
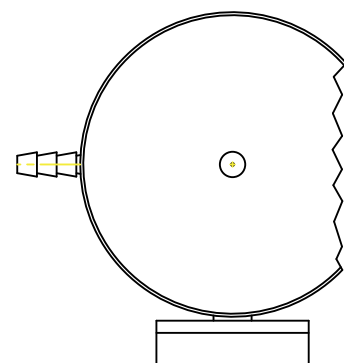
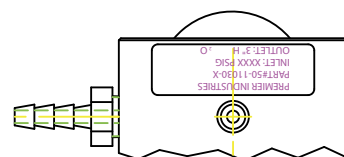
- **BODY:**
  - 6061-T6 Aluminum, Clear Anodize *(Standard)*
  - 303 Stainless Steel
  - Brass, Nickel Plated
- **BONNET:** Aluminum, Clear Anodize
- **VALVE SEAT:** Viton® or EPDM and Teflon®
- **O-RING SEALS:**
  - Viton® *(Standard)*
  - EPDM
  - numerous other compounds available
- **DIAPHRAGM:**
  - Buna-N *(Standard)*
  - Viton®
- **INLET GAUGE:**
  - Brass Socket / Stainless Steel Case *(Standard)*
  - Stainless Steel Socket / Stainless Steel Case

### PORTING

- **INTEGRATED INLET PORTING OPTIONS:**
  - C10 integrated 1/4 FNPT, *(Standard)*
  - 1/4 FNPT
  - 1/8 FNPT
- **OPTIONAL INLET ADAPTER CONNECTIONS:**
  - C-10 (5/8-18 UNF)
  - CGA 180
  - CGA 350
  - CGA 330/660
  - CGA 580/590
  - CGA 600
- **INTEGRATED OUTLET PORTING OPTIONS:**
  - 1/8" FNPT *(Standard)*
- **OPTIONAL OUTLET ADAPTER CONNECTIONS:**
  - 3/16" hose barb *(Standard)*
  - 1/8" hose barb
  - 1/4" hose barb

### OPTIONS

- CGA Connections
- Optional hose barbs available in outlet
- Private Label



### ORDERING

- **Standard:** part number: 50-11030
- **Non-standard:** part number assigned per requirements