



DOME LOADED HIGH PRESSURE, HYDRAULIC *Pressure Reducing Regulators*



PREMIER INDUSTRIES

1590 99th Ln NE,
Minneapolis, MN 55449
763-786-4020



MADE IN THE USA

Minneapolis, MN

DESCRIPTION

Premier 6500DL Series dome loaded, pressure reducing regulators are your affordable and compact solution for high pressure hydraulic applications. These rugged, piston sensed regulators are rated for 6000 PSIG (413.69 bar), feature a 1:1 loader with a maximum outlet pressure of 1000 PSIG (68.95 bar) and Cv: 0.06 or 0.2. Premier 6500DL regulators feature captured venting to safely pipe away expelled hydraulic media. With a variety of construction material options, porting configurations, and mounting options, you can be confident the Premier 6500DL Series dome loaded, pressure reducing regulator will integrate seamlessly into your hydraulic application.

FEATURES

- Compatible with electro-pneumatic controllers
- Piston Sensed
- Captured venting
- Lightweight, compact design
- Machined bar stock body and piston eliminates porosity found in castings
- Bottom mount (*standard*)
- Optional threaded body & panel mounting nuts
- Two or four port designs available
- 1:1 loader with max outlet pressure of 1000 PSIG (68.95 bar)
- Minimal soft goods
- Cv: 0.06 or 0.2

6500DL SERIES

DOME LOADED HIGH PRESSURE, HYDRAULIC *Pressure Reducing Regulators*



SPECIFICATIONS

- **MAXIMUM INLET PRESSURE:**
 - 6000 PSIG (413.69 bar)
- **OUTLET PRESSURE:**
 - 1000 PSIG (68.95 bar)
- **MAX DOME LOAD:** 1000 PSIG (68.95 bar)
- **LOAD RATIO:** 1:1**
- ** **Cv 0.06:** an additional 10-50 psi (0.69- 3.45 bar) dome load is required to maintain a 1:1 outlet pressure to dome load ratio.
- Cv 0.2:** an additional 10-70 psi (0.69- 3.45 bar) dome load is required to maintain a 1:1 outlet pressure to dome load ratio.
- **Cv:** 0.06 or 0.2
- **LEAK RATE:** Bubble tight N₂

MATERIALS OF CONSTRUCTION

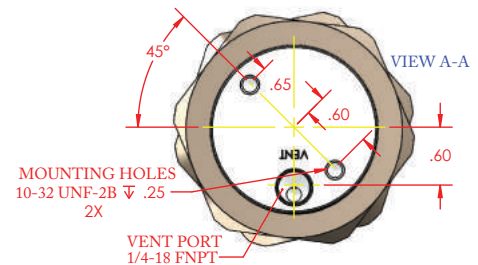
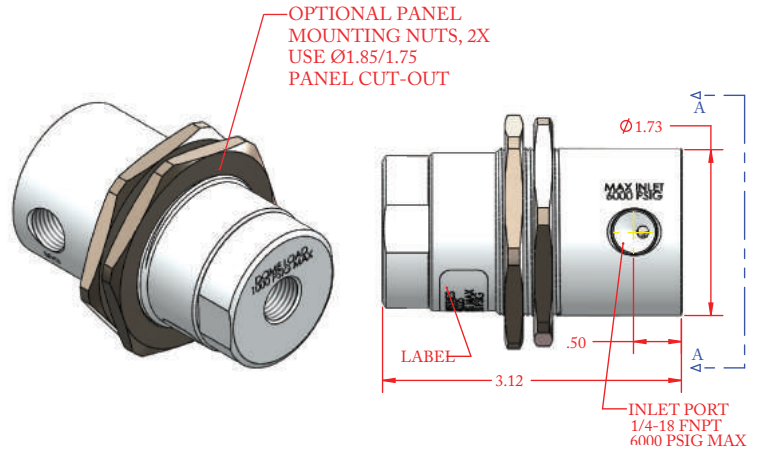
- **BODY & BONNET:**
 - 6061-T6 Aluminum, Clear Anodized (standard)
 - 303 Stainless Steel
 - 316 Stainless Steel
- **PISTON & HOUSING:**
 - 303 stainless steel (303 stainless body & aluminum body)
 - 316 Stainless steel (316 stainless body)
- **MAIN VALVE COMPONENTS:**
 - 300 Series Stainless Steel (303 stainless steel body/aluminum body)
 - 316 Stainless steel (316 stainless steel body)
- **MAIN VALVE SEAT:**
 - PEEK®
 - Vespel®
- **O-RING SEALS:**
 - Nitrile
 - Viton®
 - EPDM
 - Neoprene
- **PANEL MOUNTING NUTS (OPTIONAL):**
 - 6061-T6 Aluminum, Nickel Plated

PORTING

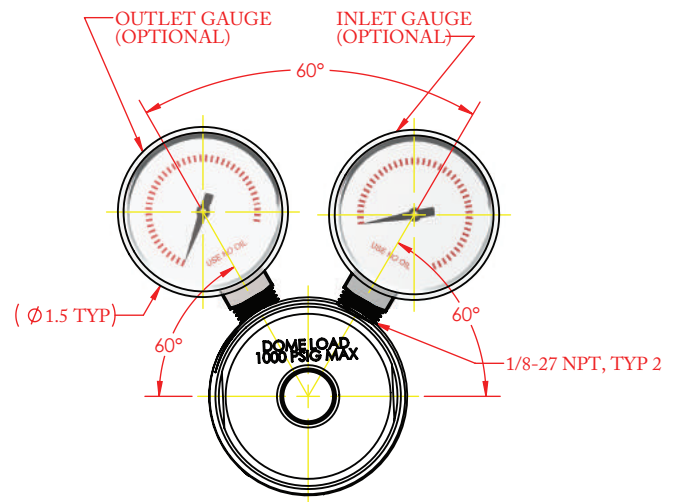
- **STANDARD INLETS:** 1/4" FNPT
- **STANDARD OUTLETS:** 1/4" FNPT
- **DOME PORT:** 1/4" FNPT
- **VENT PORT:** 1/4" FNPT
- **GAUGE PORTS:** 1/8" FNPT

OPTIONS

- Gauges
- Private label
- Panel mounting nuts (X2 required)
(Order Separately: P/N 50-11803)
- For custom materials of construction (monel®, hastelloy® etc.) please contact factory.



(P/N: 50-12225-11XX1 shown above)



(P/N: 50-12225-12XX2 shown above)



**DOME LOADED
HIGH PRESSURE, HYDRAULIC**
Pressure Reducing Regulators



PART #	-	1	2	-	3	4	-	5	6
50-12225	-			-			-		

1	BODY & BONNET MATERIAL / FINISH
1	6061-T6 Aluminum <i>Clear Anodize</i>
2	303 Stainless Steel <i>Clean per spec #515</i>
3	316 Stainless Steel <i>Clean per spec #515</i>
2	PORTING
1	2 port
2	4 port
3	O-RING MATERIAL
1	Nitrile
2	Viton®
3	EPDM
4	Neoprene

4	SEAT MATERIAL
4	PEEK®
5	VespeI®
5	Cv RATING
1	0.06
2	0.2
6	GAUGES
1	None
2	Include gauges <i>(4 port only)</i>

*PEEK is a registered trademark of Victrex PLC
VespeI and Viton are registered trademarks of E.I. duPond De Nemours and Company
For custom materials of construction (monel®, hastelloy® etc.) please contact factory.
Contact factory for material certifications. Fees may apply.*