



## PREMIER CR2500 SERIES

*Changeover Regulator*

**CR2500**  
**SERIES**

### PREMIER INDUSTRIES

1590 99th Ln NE,  
Minneapolis, MN 55449  
763-786-4020



**MADE IN THE USA**

Minneapolis, MN

### DESCRIPTION

Diaphragm sensed Premier CR2500 Series changeover regulators provide a compact system which supplies a continuous flow of gas, preventing unnecessary outages, and wasted gas. When the primary gas source is consumed, the changeover regulator automatically draws from a secondary supply. The hand knob can be turned after the depletion of one gas source (arrow pointing towards the line currently in service) allowing you to safely replenish the depleted source not in service. The CR2500 Series is fitted with a stainless steel diaphragm, minimizing inboard diffusion. The CR2500 Series has a max inlet of 3000 PSIG (206.84 bar), 4 outlet pressure ranges, and Cv of 0.08.

### FEATURES

- Stainless steel diaphragm minimizes inboard diffusion of air into regulator
- 3000 PSIG (206.84 bar) MAX inlet
- Four outlet pressure ranges
- Optional hand knob styles available
- Very competitive pricing
- Compact design (body diameter of 1.5 in. x 5.5 in. long)
- Machined bar stock body eliminates porosity

*The Premier CR2500 Series changeover regulators are remarkably flexible.  
Contact Premier Industries for a custom changeover regulator that will meet your exact needs.*



# PREMIER CR2500 SERIES

## Changeover Regulator



### SPECIFICATIONS

- **MAXIMUM INLET PRESSURE:** 3000 PSIG (206.84 bar)
- **CONTROL PRESSURE RANGES:**
  - 80/120 PSIG (5.52/8.27 bar)
  - 130/170 PSIG (8.96/11.72 bar)
  - 185/215 PSIG (12.76/14.82 bar)
  - 235/265 PSIG (16.2/18.27 bar)
- **FLOW (Cv):** 0.08

### MATERIALS OF CONSTRUCTION

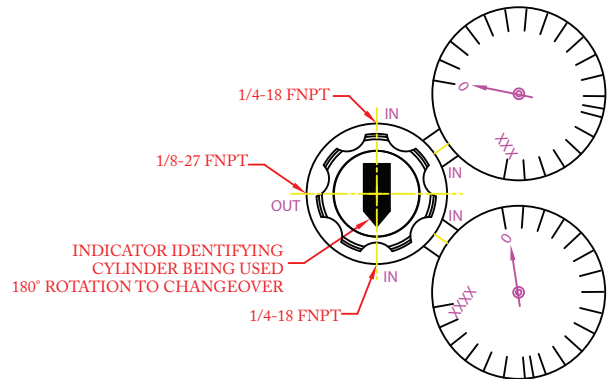
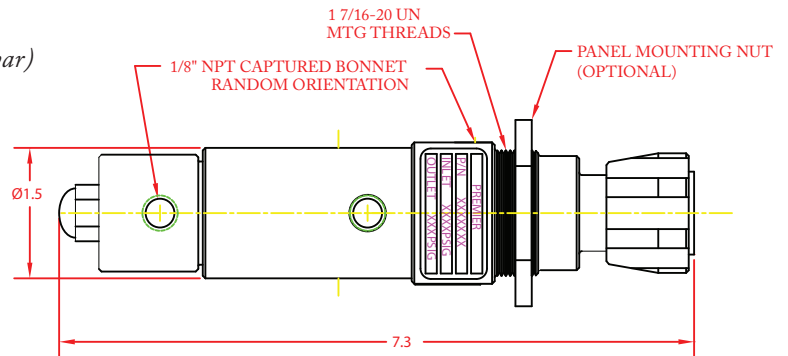
- **BODY:**
  - SAE 360 Brass
  - 316 Stainless Steel
  - 6061-T6 Aluminum, Clear Anodized
- **BONNET:**
  - SAE 360 Brass
- **DIAPHRAGM:** 316 Stainless Steel
- **DIAPHRAGM SEAL:** Teflon®
- **MAIN VALVE SEAT:** Teflon®

### PORTING

- **INLET PORTING:**
  - 1/4-18" FNPT (2 places)
- **OUTLET PORTING:**
  - 1/8-27" FNPT

### OPTIONS

- Panel Mounting Bonnet & Nut
- Private Label



(Part Number: 50-11467 shown in drawings above)

**PREMIER INDUSTRIES**  
 1590 99th Ln NE,  
 Minneapolis, MN 55449  
 763-786-4020



**PREMIER CR2500 SERIES**  
*Changeover Regulator*



**50-11467-XX**

BASIC SERIES	BODY MATERIAL	OUTLET PRESSURE SETTINGS
<b>50-11467</b>	<b>1:</b> SAE 360 Brass	<b>1:</b> 80/120 PSIG (5.52/8.27 bar)
	<b>2:</b> 316 Stainless Steel	<b>2:</b> 130/170 PSIG (8.96/11.72 bar)
	<b>3:</b> 6061-T6 Aluminum, clear anodized	<b>3:</b> 185/215 PSIG (12.76/14.82 bar)
	<b>4:</b> SAE 360 Brass, nickel plated	<b>4:</b> 235/265 PSIG (16.2/18.27 bar)



**MADE IN THE USA**

Minneapolis, MN

**PREMIER INDUSTRIES**

1590 99th Ln NE,  
 Minneapolis, MN 55449  
 763-786-4020