



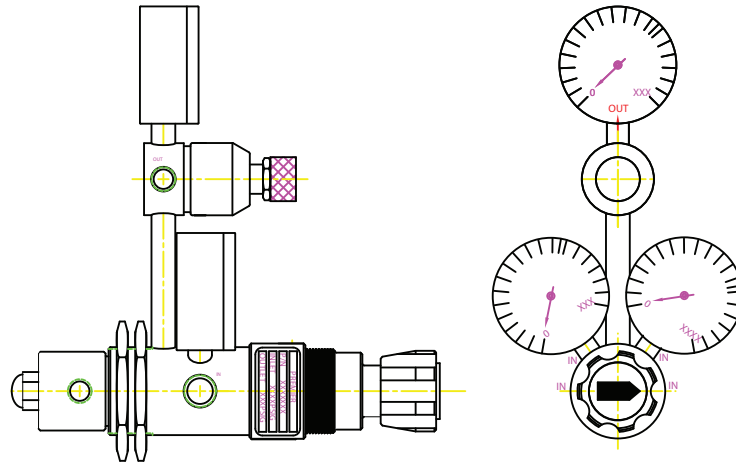
PREMIER CS2300 SERIES

Changeover panel with line regulator

CS2300 SERIES

PREMIER INDUSTRIES

1590 99th Ln NE,
Minneapolis, MN 55449
763-786-4020



MADE IN THE USA

Minneapolis, MN

DESCRIPTION

The Premier CS2300 Series is an integrated changeover system which combines our changeover regulator and line regulator into a compact, complete, wall mountable system for smooth integration into your desired application. The Premier CS2300 changeover systems are designed to provide a continuous flow of gas, preventing outages, fluctuations in pressure, and wasted gas. When the primary gas source is consumed, the changeover regulator automatically draws from a secondary supply, whereafter the handknob should be turned to replenish the diminished supply (arrow pointing toward the line in service). The built in line regulator ensures a stable delivery pressure. The CS2500 features Cv 0.08 and a max inlet of 3000 PSIG (206.84 bar) (dependent upon configuration).

FEATURES

- Premier changeover regulator
- Premier 2300 Series line regulator
- Max inlet 3000 PSIG (206.84 bar)
- Four max delivery pressures from 25 to 150 PSIG (1.72 to 10.34 bar)
- Optional Stainless steel braided teflon hose
- Optional Stainless Steel mounting Bracket with 4 holes for 1/4" screws
- Optional excess flow prevention valves
- Optional critical alert gauges

The Premier changeover systems are remarkably flexible.

Contact Premier Industries for a custom changeover system to meet your exact needs.

D/C: 151809



PREMIER CS2300 SERIES

Changeover panel with line regulator



STANDARD COMPONENTS

- 1 - Premier changeover regulator
- 1 - Premier 2300 Series, *line regulator*
- 2 - Panel Mounting Nuts

SPECIFICATIONS

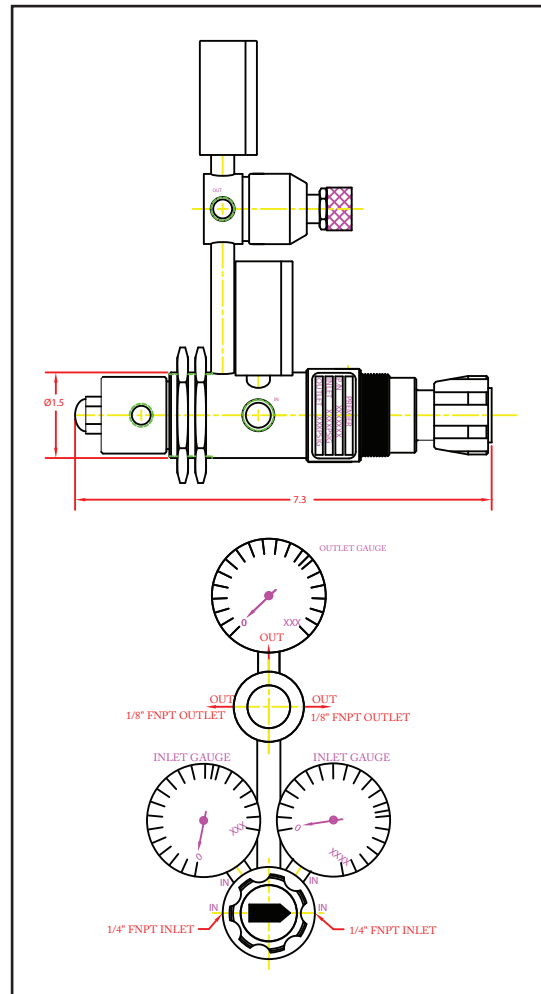
- **MAXIMUM INLET PRESSURE:** 3000 PSIG
(dependent upon configuration)
- **LINE REGULATOR CONTROL PRESSURE SETTINGS:**
 - 0-25 PSIG (0-1.72 bar)
 - 0-50 PSIG (0-3.45 bar)
 - 0-100 PSIG (0-6.89 bar)
 - 0-150 PSIG (0-10.34 bar)
- **FLOW CAPACITY (Cv):** .08

MATERIALS OF CONSTRUCTION

- **BODY:**
 - SAE 360 Brass
 - 316 Stainless Steel
 - 6061-T6 Aluminum/Clear Anodized
 - SAE 360 Brass/Nickel Plated
- **BONNET:**
 - SAE 360 Brass
 - SAE 360 Brass/Nickel Plated
 - 6061-T6 Aluminum/Clear Anodized
- **CHANGEOVER REGULATOR DIAPHRAGM:**
 - 316 Stainless Steel
- **LINE REGULATOR DIAPHRAGM:**
 - Neoprene
- **CHANGEOVER REGULATOR MAIN VALVE SEAT:**
 - Teflon®
- **LINE REGULATOR MAIN VALVE SEAT:**
 - Viton®
- **GAUGES (Optional)**
 - 2" diameter inlet & outlet gauges, stainless steel wetted gauges
 - 2" diameter inlet & outlet gauges, chrome plated case, brass wetted gauges

OPTIONS

- Excess flow prevention valves
- CGA connections
- Stainless steel braided teflon hose
- Stainless steel mounting bracket with 4 holes for 1/4" screws
- Check valves in stainless steel or brass
- Gauges / critical alert gauges



(part number: 50-11491 shown above)

PORTING

- **INLET PORTING:**
 - 1/4-18 FNPT (2 places)
- **OUTLET PORTING:**
 - 1/8-27 FNPT

PREMIER INDUSTRIES
1590 99th Ln NE,
Minneapolis, MN 55449
763-786-4020



PREMIER CS2300 SERIES
Changeover panel with line regulator



50-11491-XXX

BASIC SERIES	BODY MATERIAL	OUTLET PRESSURE <i>(outlet gauge range if supplied)</i>	GAUGES <i>(optional)</i>
50-11491	1: SAE 360 Brass	1: 0-25 PSIG <i>(0-1.72 bar)</i>	C: 2" diameter inlet & outlet stainless steel wetted gauges
	2: 316 Stainless Steel	2: 0-50 PSIG <i>(0-3.45 bar)</i>	J: 2" diameter inlet & outlet chrome plated brass wetted gauges
	3: 6061-T6 Aluminum, Clear anodized	3: 0-100 PSIG <i>(0-6.89 bar)</i>	
	4: SAE 360 Brass, Nickel Plated	4: 0-150 PSIG <i>(0-10.34 bar)</i>	



MADE IN THE USA

Minneapolis, MN

PREMIER INDUSTRIES

1590 99th Ln NE,
 Minneapolis, MN 55449
 763-786-4020