



MINIATURE, BRASS METAL SEAT *Shut Off Valves*



PREMIER INDUSTRIES

1590 99th Ln NE,
Minneapolis, MN 55449
763-786-4020



MADE IN THE USA

Minneapolis, MN

DESCRIPTION

The Premier miniature shut-off valve, is part of a family of manual, high pressure, shut off valves. This valve features a metal seat (*SAE 360 Brass*), 303 stainless steel valve stem, Cv of 0.25, compact size, and reliability at an economical cost.

Premier miniature shut-off valves may be used in a wide variety of applications as compatible with the materials of construction.

FEATURES

- Compact Size
- Metal to metal seal
- Maximum inlet pressure of 3000 PSI (*206.84 bar*)
- Cv of 0.25
- Economical pricing
- Machined bar stock brass bodies eliminate porosity found in castings

The Premier miniature shut off valves design is remarkably flexible.

Contact Premier Industries for a custom miniature shut off valve to meet your exact needs.

SHUT OFF VALVES

MINIATURE, BRASS METAL SEAT *Shut Off Valves*



SPECIFICATIONS

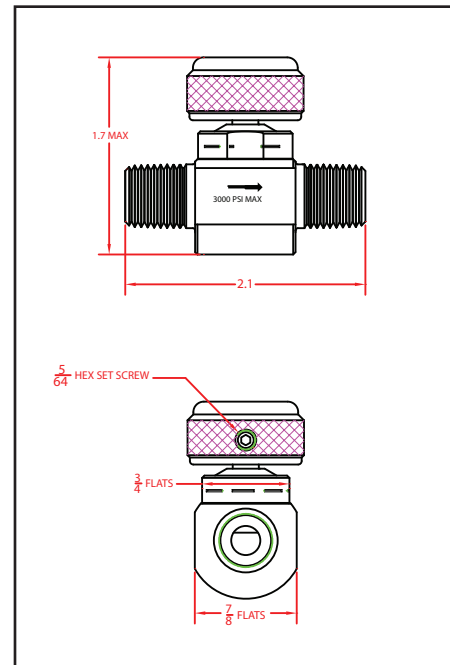
- **MAXIMUM INLET PRESSURE :** 3000 PSIG (206.84 bar)
- **WEIGHT:** 0.3 lbs
- **LEAK RATE:** Bubble tight
- **FLOW (Cv):** 0.25

MATERIALS OF CONSTRUCTION

- **BODY:**
 - SAE 360 Brass
- **VALVE STEM:** 303 Stainless Steel
- **SEALS:** BUNA-N
- **HAND KNOB:** 6061-T6 Aluminum / black anodized

PORTING

- **INLET:**
 - 1/4-18 MNPT
- **OUTLET:**
 - 1/4-18 MNPT



(Part number shown above: 70-00223)

PREMIER INDUSTRIES

1590 99th Ln NE,
Minneapolis, MN 55449
763-786-4020